



PARTS CATALOGUE

VK540EB (8ACW) EUROPE,RUS,JAPAN



1L8AC-300E1

()

VK540EB
PARTS CATALOGUE
©2011 by Yamaha Motor Co., Ltd.
1st edition, May 2011
All rights reserved.
Any reprinting or unauthorized use
without the written permission of
Yamaha Motor Co., Ltd.
is expressly prohibited.
Printed in Japan.

FOREWORD

This Parts Catalogue is related to the parts for the model(s) on the cover page. When you are ordering replacement parts, please refer to this Parts Catalogue and quote both part numbers and part names correctly.

1. Modifications or additions which have been made after the issue of the Parts Catalogue will be announced in the Parts News.

It is advisable that you make the necessary corrections to the Parts Catalogue according to the Parts News.

2. Abbreviations

The following abbreviations are used in this Parts Catalogue.

“UR” Use specified parts number.

“UN” Use as many as needed.

“AP” Alternate Parts

“LM” Locally Made (Parts need to be ordered locally)

“F#” Frame No. (Applicable machine No.)

“O/S” Over Size

3. The number of components for assembly

- Parts, which are to be supplied in an assembly, are listed with a dot (.) in front of the part name as shown below.
- The numeral appearing to the right of each component part indicates the quantity of parts for each assembly unit.

PART NO.	DESCRIPTION	Q'TY	REMARKS
2F5-83310-60	FRONT FLASHER LIGHT ASSY	2	
115-83311-60	.BULB (6V-18W)	1	

4. Applicable colours of graphics are represented in the “REMARKS” as shown below.

PART NO.	DESCRIPTION	Q'TY	REMARKS
2N4-24110-00-X5	FUEL TANK COMP.	2	MXR
3J1-24240-10	.GRAPHIC, FUEL TANK	1	FOR MXR

5. Note that the illustrations for reference in finding parts numbers are not to be used for assembling. When assembling, please use the applicable service manual.

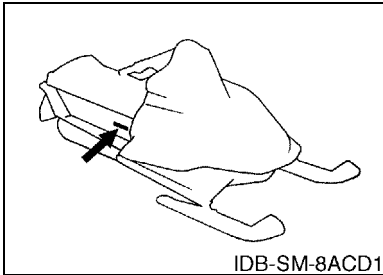
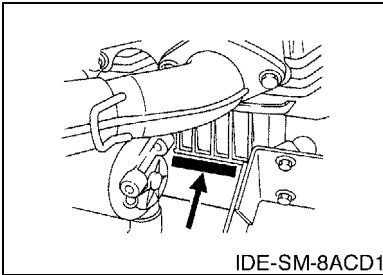
6. The asterisk (*) before a reference number indicates modified items after the first edition.

FOREWORD

7. Applicable Serial No.

Engine Serial No.

Frame Serial No.



10. Applicable Starting Serial No.

Frame Serial No.

Serial No.	Name Of Q'ty Column	Model Code
JYE8AC007CA090211	EUR	8ACW
JYE8AC007CA090211	RUS	8ACW
JYE8AC007CA090211	JPN	8ACW

8. Applicable Colour Code (The (*) mark shows Model colour.)

Abbreviation	Colour Name	Colour Code
BWC1(*)	BLUISH WHITE COCKTAIL 1	0390
SMX(*)	BLACK METALLIC X	0903

9. Quantity Column Information

Column No.	Name Of Q'ty Column	Destination
1	EUR	EUROPE
2	RUS	RUS
3	JPN	JAPAN

CONTENTS

ENGINE

CYLINDER HEAD	1
CRANKSHAFT & PISTON	2
AIR SHROUD & FAN	4
OIL PUMP	6
PUMP DRIVE GEAR	7
INTAKE	8
CARBURETOR	10
EXHAUST	12
CRANKCASE	13
STARTER	14

DRIVE

PRIMARY SHEAVE	15
SECONDARY SHEAVE	17

BODY

ENGINE BRACKET	18
OIL TANK	19
FRAME	20
SKI	23
STEERING	26
STEERING GATE	28
FUEL TANK	29
SEAT	31
BRAKE	32
CONTROL CABLE	33
TRACK SUSPENSION 1	34
TRACK SUSPENSION 2	36
TRACK SUSPENSION 3	40
TRACK DRIVE 1	41
TRACK DRIVE 2	42
TRACK DRIVE 3	45
SHROUD	47
EMBLEM	50
WINDSHIELD	51
GUARD & LUGGAGE BOX	52
BUMPER	53
INSTRUMENT PANEL	55

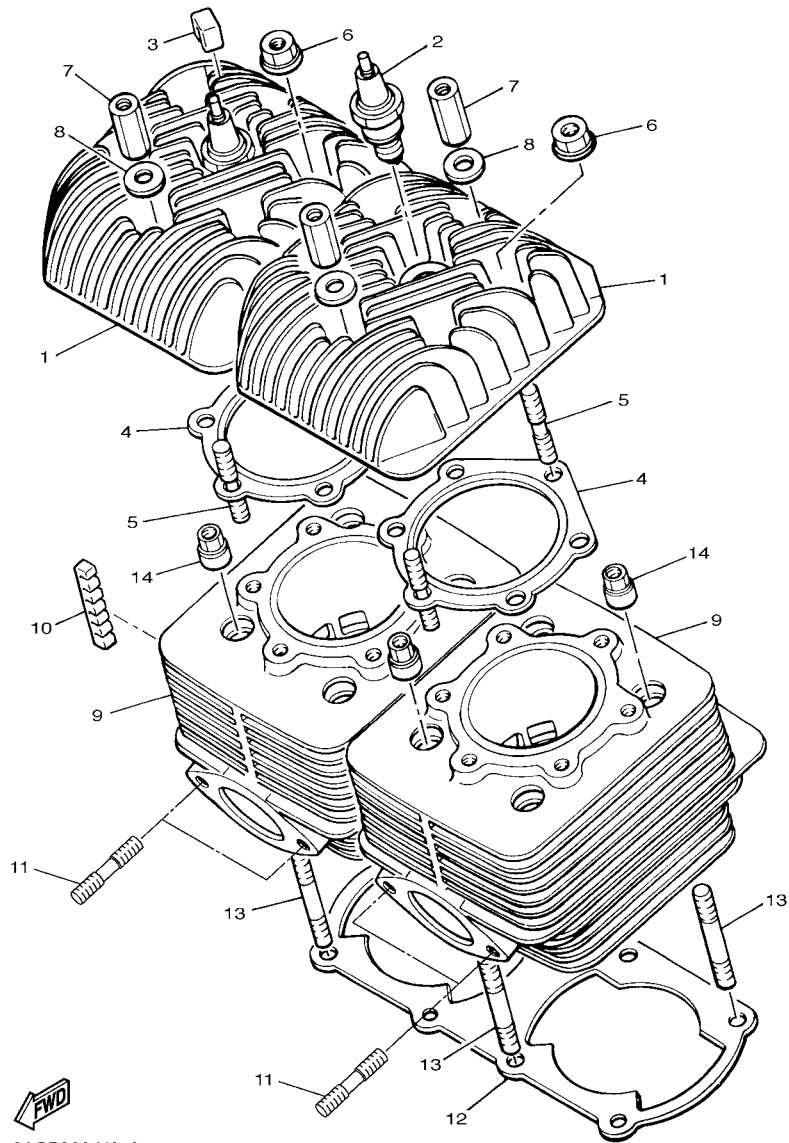
ELECTRICAL

GENERATOR	57
-----------------	----

STARTING MOTOR	58
METER	59
HEADLIGHT	60
TAILLIGHT	61
HANDLE SWITCH & LEVER	62
ELECTRICAL 1	63
ELECTRICAL 2	65
ELECTRICAL 3	66
ALTERNATE REAR VIEW MIRROR	67
ALTERNATE REBUILD KIT	68
ALTERNATE CLUTCH TUNE UP KIT	69

INDEX

NUMERICAL INDEX	70
-----------------------	----



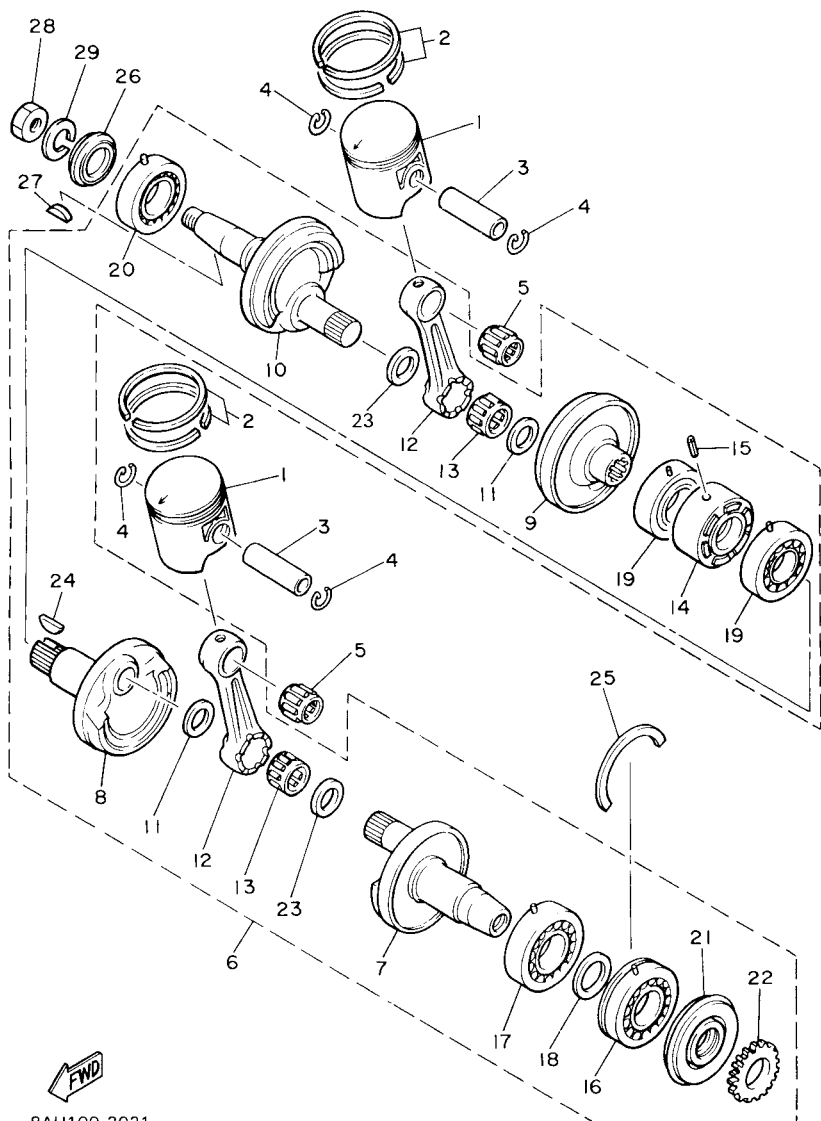
8ACP300-H010

FIG. 1 CYLINDER HEAD

REF. NO.	PART NO.	DESCRIPTION	EUR	RUS	JPN	REMARKS
1	8R6-11111-00	HEAD, CYLINDER 1	2	2	2	
2	94702-00188	PLUG, SPARK (NGK BR9ES)	2	2		
	94709-00188	PLUG, SPARK (NGK BR9ES)			2	
3	83R-11161-00	ABSORBER 1	12	12	12	
4	83R-11181-00	GASKET, CYLINDER HEAD 1	2	2	2	
5	90116-08104	BOLT, STUD	12	12	12	
6	95707-08500	NUT, FLANGE	8	8	8	
7	90179-08269	NUT	4	4	4	
8	90201-08100	WASHER, PLATE	4	4	4	
9	83R-11311-00	CYLINDER 1	2	2	2	
10	83R-11162-00	ABSORBER 2	8	8	8	
11	95612-08318	BOLT, STUD	4	4	4	
12	89N-11351-00	GASKET, CYLINDER	1	1	1	
13	90116-08302	BOLT, STUD	8	8	8	
14	90179-08268	NUT	8	8	8	

FIG. 2 CRANKSHAFT & PISTON

REF. NO.	PART NO.	DESCRIPTION	EUR	RUS	JPN	REMARKS
1	8R6-11631-00-95	PISTON (STD)	2	2	2	
	8R6-11635-00	PISTON (0.25MM O/S)	2	2	2	AP
	8R6-11636-00	PISTON (0.50MM O/S)	2	2	2	AP
2	8R6-11601-00	PISTON RING SET (STD)	2	2	2	
	8R6-11601-10	PISTON RING SET (0.25MM O/S)	2	2	2	AP
	8R6-11601-20	PISTON RING SET (0.50MM O/S)	2	2	2	AP
3	8H8-11633-00	PIN, PISTON	2	2	2	
4	93450-21053	CIRCLIP	4	4	4	
5	93310-320G0	BEARING	2	2	2	
6	8AT-11400-01	CRANKSHAFT ASSY	1	1	1	
7	83R-11412-01	.CRANK 1	1	1	1	
8	8H8-11422-01	.CRANK 2	1	1	1	
9	8H8-11432-01	.CRANK 3	1	1	1	
10	8AT-11442-00	.CRANK 4	1	1	1	
11	90209-24073	.WASHER	2	2	2	
12	8R6-11651-00	.ROD, CONNECTING	2	2	2	
13	93310-524K4	.BEARING	2	2	2	
14	8H8-11515-00	.SEAL, LABYRINTH 1	1	1	1	
15	91609-30010	.PIN, SPRING	1	1	1	
16	93306-30627	.BEARING	1	1	1	
17	93306-30628	.BEARING	1	1	1	
18	90201-33299	.WASHER, PLATE	1	1	1	
19	93306-20617	.BEARING	2	2	2	
20	93306-20620	.BEARING	1	1	1	
21	93103-32095	.OIL SEAL	1	1	1	
22	8K2-13178-00	.GEAR, PUMP DRIVE	1	1	1	
23	8A7-11685-00	.WASHER, CRANK PIN	2	2	2	



8AU100-3021

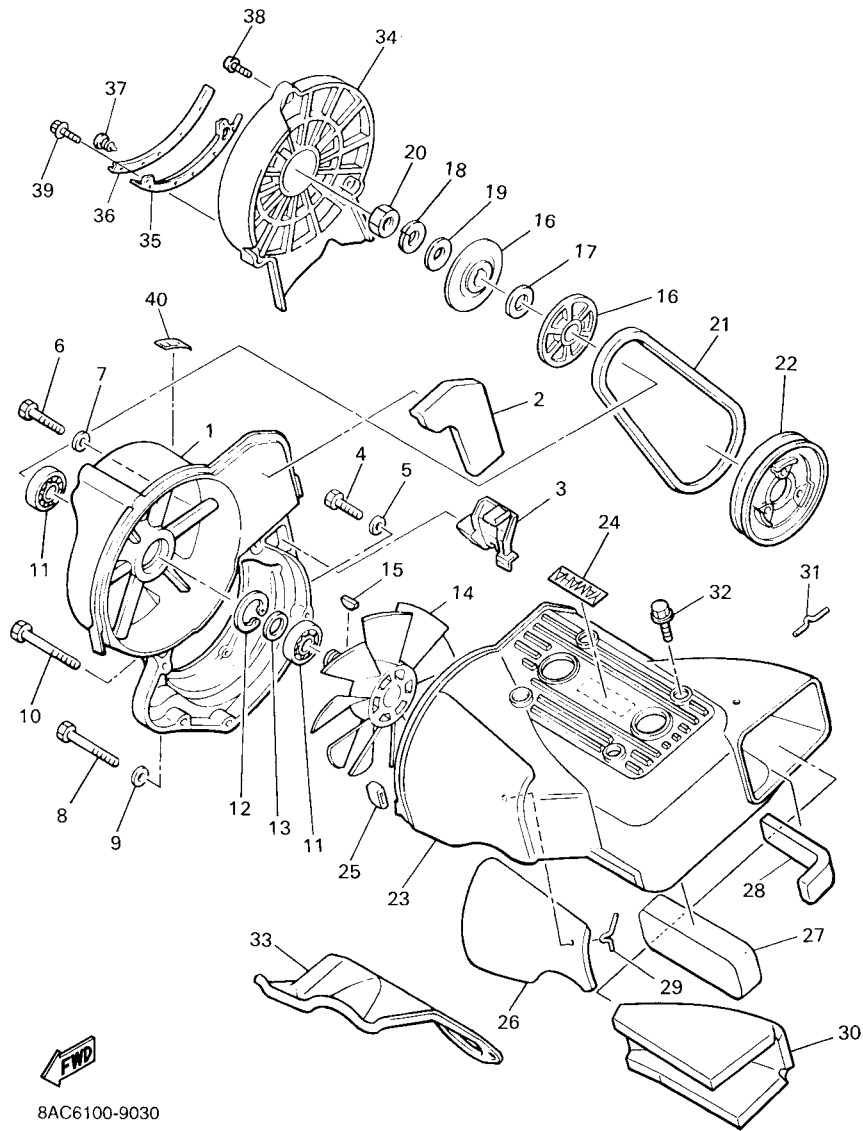


FIG. 3 AIR SHROUD & FAN

REF. NO.	PART NO.	DESCRIPTION	EUR	RUS	JPN	REMARKS
1	88F-12621-02	CASE, FAN	1	1	1	
2	8Y0-12679-00	DAMPER, SHROUD 6	1	1	1	
3	8Y0-12658-00	DAMPER, AIR SHROUD 1	1	1	1	
4	97027-08040	BOLT, HEXAGON	2	2	2	
5	92907-08600	WASHER, PLATE	2	2	2	
6	97027-08055	BOLT, HEXAGON	1	1	1	
7	92907-08600	WASHER, PLATE	1	1	1	
8	97027-08075	BOLT, HEXAGON	1	1	1	
9	92907-08600	WASHER, PLATE	1	1	1	
10	97027-08075	BOLT, HEXAGON	1	1	1	
11	93306-20315	BEARING	2	2	2	
12	99009-40500	CIRCLIP	1	1	1	
13	90201-17713	WASHER, PLATE	1	1	1	
14	8H8-12611-01	FAN	1	1	1	
15	90280-05014	KEY, WOODRUFF	1	1	1	
16	8H8-12619-01	PULLEY 2	2	2	2	
17	90214-17017	WASHER, CLAW (0.5T)	1	1	1	UR UN
	90214-17018	WASHER, CLAW (1.0T)	1	1	1	UR UN
18	92907-16100	WASHER	1	1	1	
19	90201-17713	WASHER, PLATE	1	1	1	
20	90170-16425	NUT	1	1	1	
21	8H8-12612-00	BELT	1	1	1	
22	8H8-12618-01	PULLEY 1	1	1	1	
23	8H8-12651-02	AIR SHROUD, CYLINDER 1	1	1	1	
24	99246-00080	EMBLEM, YAMAHA	1	1	1	
25	8H8-12658-00	DAMPER, AIR SHROUD 1	2	2	2	
26	8H8-12659-00	DAMPER, AIR SHROUD 2	1	1	1	

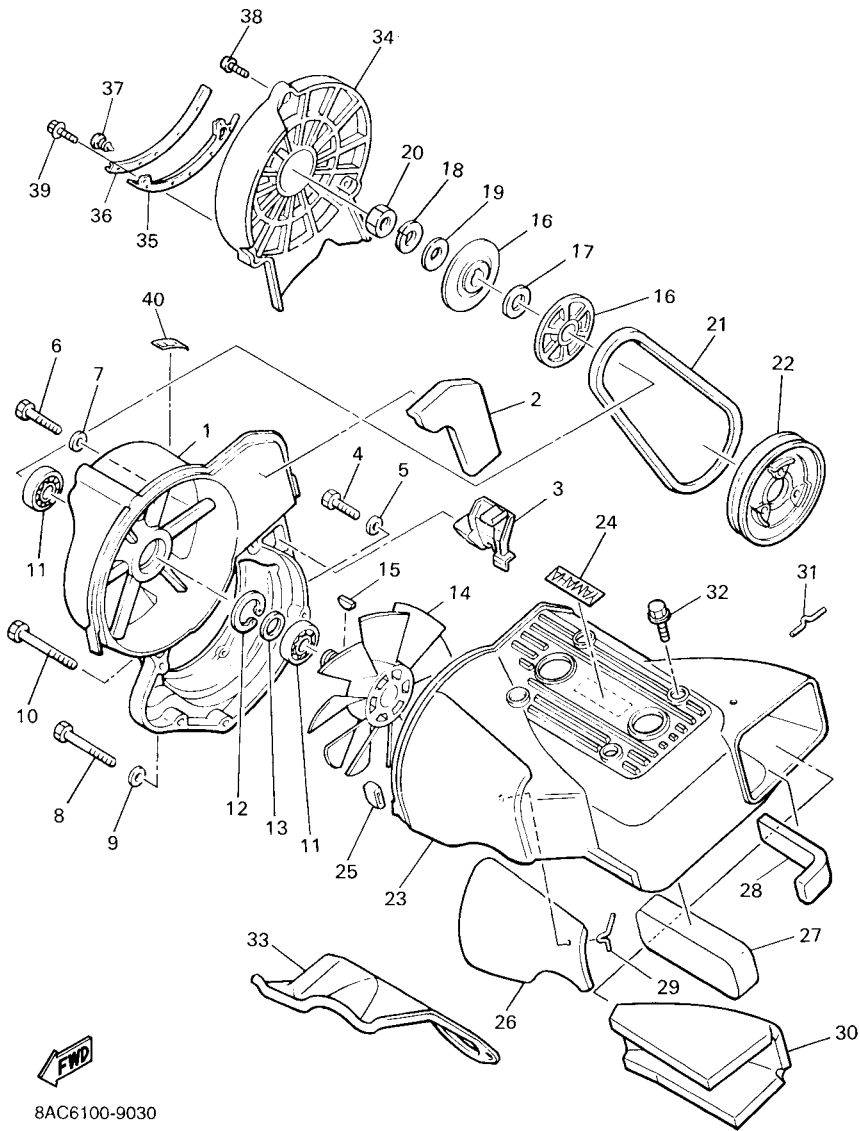
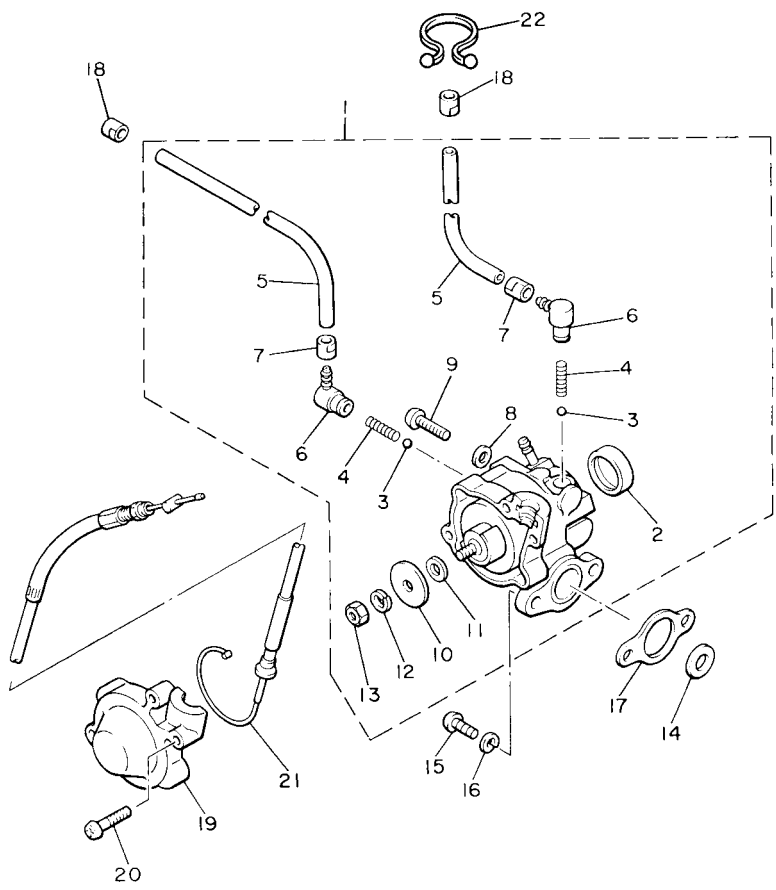


FIG. 3 AIR SHROUD & FAN

REF. NO.	PART NO.	DESCRIPTION	EUR	RUS	JPN	REMARKS
27	8H8-12669-00	DAMPER, AIR SHROUD 4	1	1	1	
28	8V8-12678-00	DAMPER, AIR SHROUD 5	1	1	1	
29	91401-16025	PIN, COTTER	3	3	3	
30	8AT-12679-00	DAMPER, SHROUD 6	1	1	1	
31	91401-16025	PIN, COTTER	3	3	3	
32	90119-06108	BOLT, WITH WASHER	4	4	4	
33	8H8-12652-00	AIR SHROUD, CYLINDER 2	1	1	1	
34	8L0-12616-00	COVER, FAN CASE	1	1	1	
35	8Y0-12637-02	STAY 1	1	1	1	
36	8Y0-12687-02	DAMPER, DUCT 4	1	1	1	
37	90269-05051	RIVET	5	5	5	
38	98907-06025	SCREW, BIND	2	2	2	
39	95807-06025	BOLT, FLANGE	1	1	1	
40	8AC-1262A-E0	LABEL, WARNING 2	1		1	
	8AC-1262A-R1	LABEL, WARNING 2			1	



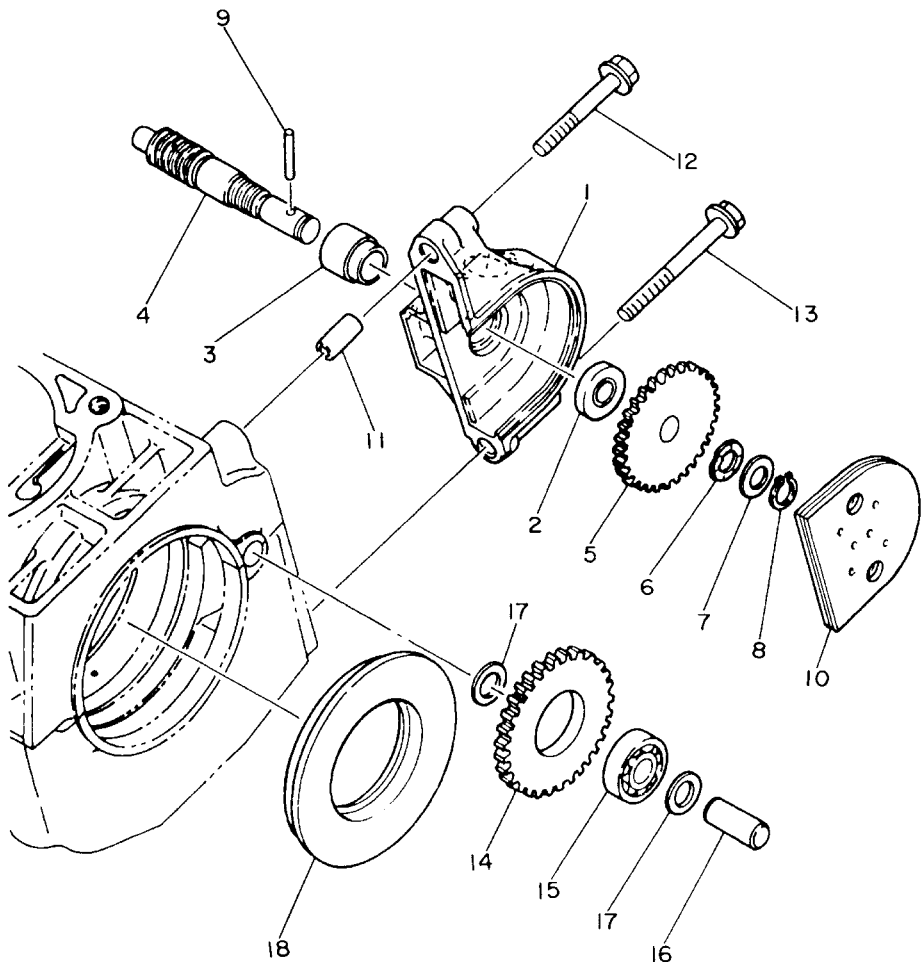

 8AU100-3040

FIG. 4 OIL PUMP

REF. NO.	PART NO.	DESCRIPTION	EUR	RUS	JPN	REMARKS
1	8AT-13101-00	OIL PUMP ASSY	1	1	1	
2	90338-21075	.PLUG	1	1	1	
3	93505-32002	.BALL	2	2	2	
4	90501-02217	.SPRING, COMPRESSION	2	2	2	
5	91A30-03042	.TUBE, FLEXIBLE VINYL	2	2	2	
6	353-13552-01	.NOZZLE	2	2	2	
7	90468-02025	.CLIP	2	2	2	
8	90430-04004	.GASKET	1	1	1	
9	98902-04020	.SCREW, BIND	1	1	1	
10	137-13138-01	.PLATE, ADJUSTING	1	1	1	
11	137-13137-00	.SHIM, PLUNGER	1	1	1	
12	92901-05100	.WASHER, SPRING	1	1	1	
13	95301-05600	.NUT	1	1	1	
14	90201-08624	WASHER, PLATE	1	1	1	
15	98507-05016	SCREW, PAN HEAD	2	2	2	
16	92907-05100	WASHER, SPRING	2	2	2	
17	8Y0-13116-01	GASKET, PUMP CASE	1	1	1	
18	90468-02025	CLIP	2	2	2	
19	8A5-13146-01	COVER, ADJUST PULLEY	1	1	1	
20	98507-04018	SCREW, PAN HEAD	3	3	3	
21	8L8-26320-04	PUMP CABLE ASSY	1	1	1	
22	90464-16039	CLAMP	1	1	1	

FIG. 5 PUMP DRIVE GEAR

REF. NO.	PART NO.	DESCRIPTION	EUR	RUS	JPN	REMARKS
1	8AT-15416-00	COVER, OIL PUMP	1	1	1	
2	93101-10001	OIL SEAL	1	1	1	
3	821-13176-00	METAL, WORM SHAFT OUTER	1	1	1	
4	866-13175-00	SHAFT, WORM	1	1	1	
5	821-13188-00	GEAR, DRIVE (32T)	1	1	1	
6	90206-11016	WASHER, WAVE	1	1	1	
7	137-13148-00	PLATE, CAM THRUST	1	1	1	
8	99009-10400	CIRCLIP	1	1	1	
9	93603-22028	PIN, DOWEL	1	1	1	
10	8K4-15426-00	COVER, OIL PUMP 2	1	1	1	
11	99530-08016	PIN, DOWEL	2	2	2	
12	95027-06040	BOLT, FLANGE	1	1	1	
13	95027-06055	BOLT, FLANGE	1	1	1	
14	8H8-13179-00	GEAR, IDLE (34T)	1	1	1	
15	93306-00002	BEARING	1	1	1	
16	8G8-13342-00	SHAFT, IDLE GEAR	1	1	1	
17	90201-10119	WASHER, PLATE	2	2	2	
18	8K4-13119-00	SEAL, GREASE	1	1	1	



8AU100-3050

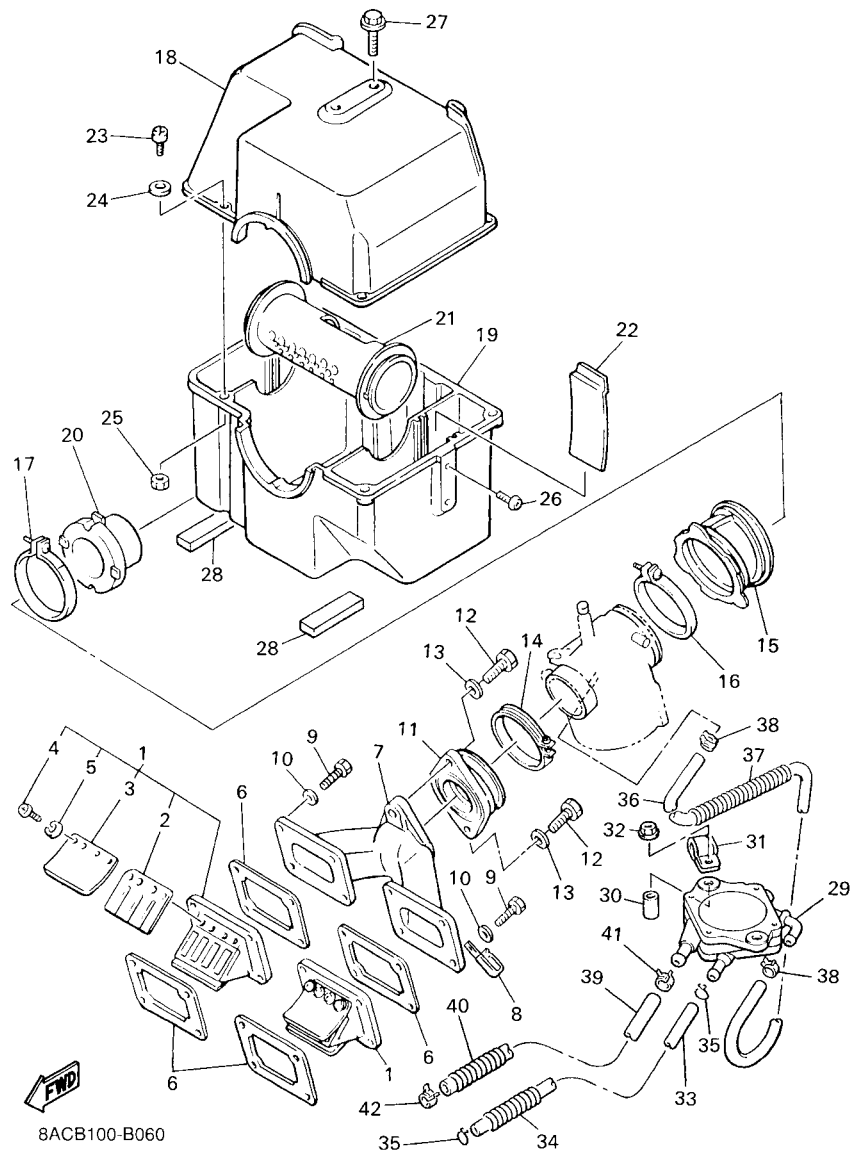


FIG. 6 INTAKE

REF. NO.	PART NO.	DESCRIPTION	EUR	RUS	JPN	REMARKS
1	8AT-13610-00	REED VALVE ASSY	2	2	2	
2	8AT-13613-00	.REED, VALVE	2	2	2	
3	8H8-13616-00	.STOPPER, REED VALVE	2	2	2	
4	98502-03008	.SCREW, PAN HEAD	8	8	8	
5	92902-03100	.WASHER	8	8	8	
6	8Y7-13556-01	GASKET, MANIFOLD	4	4	4	
7	83R-13565-00	JOINT, CARBURETOR	1	1	1	
8	90465-08277	CLAMP	1	1	1	
9	97027-06025	BOLT, HEXAGON	8	8	8	
10	92907-06600	WASHER, PLATE	8	8	8	
11	8G8-13555-01	MANIFOLD, INTAKE	1	1	1	
12	97007-08025	BOLT	2	2	2	
13	92907-08600	WASHER, PLATE	2	2	2	
14	90460-56073	CLAMP, HOSE	1	1	1	
15	83R-14453-00	JOINT, AIR CLEANER 1	1	1	1	
16	90460-68230	CLAMP, HOSE	1	1	1	
17	90450-99050	HOSE CLAMP ASSY	1	1	1	
18	8H8-14431-00	SILENCER, INTAKE 1	1	1	1	
19	8H8-14441-00	SILENCER, INTAKE 2	1	1	1	
20	83R-14465-00	PIPE	1	1	1	
21	8H8-14466-00	PIPE	1	1	1	
22	8H8-14477-00	PLATE	2	2	2	
23	98507-05016	SCREW, PAN HEAD	5	5	5	
24	92907-05600	WASHER, PLATE	5	5	5	
25	95307-05700	NUT	5	5	5	
26	98507-06010	SCREW, PAN HEAD	2	2	2	
27	90109-065E6	BOLT	2	2	2	

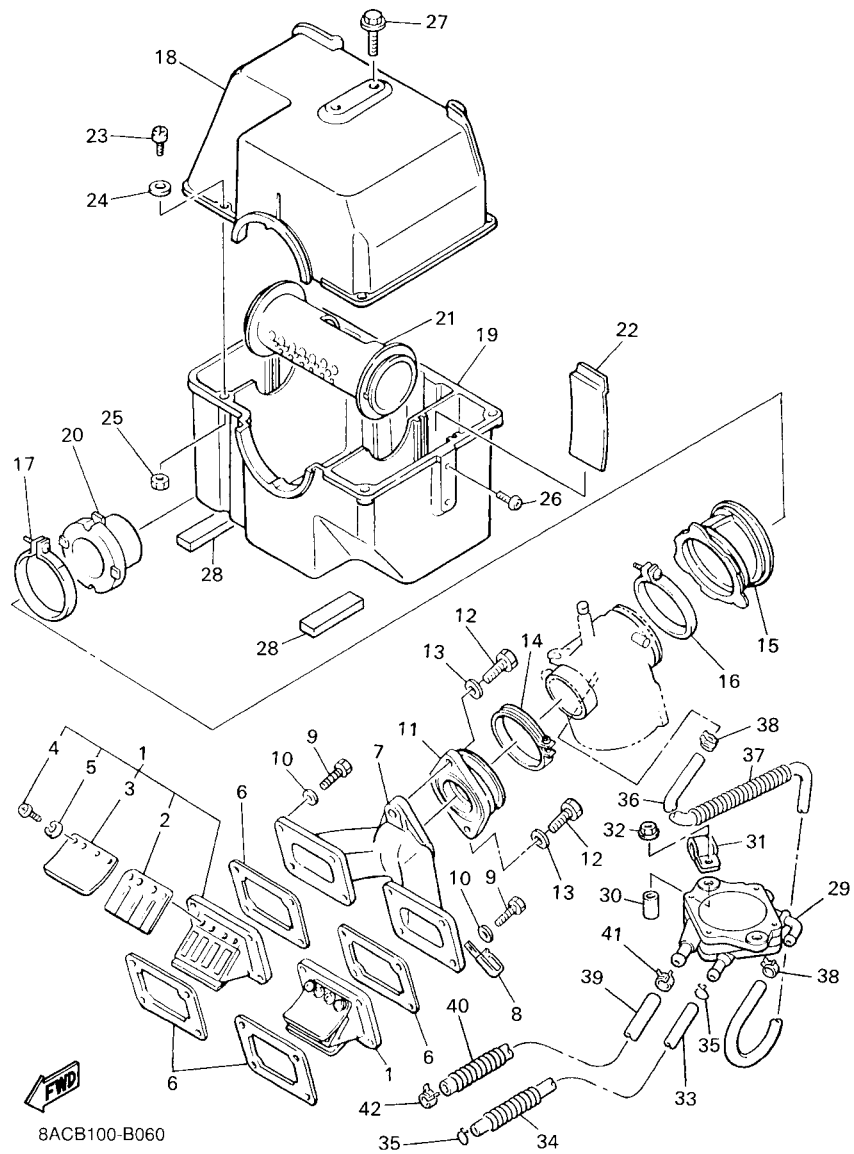
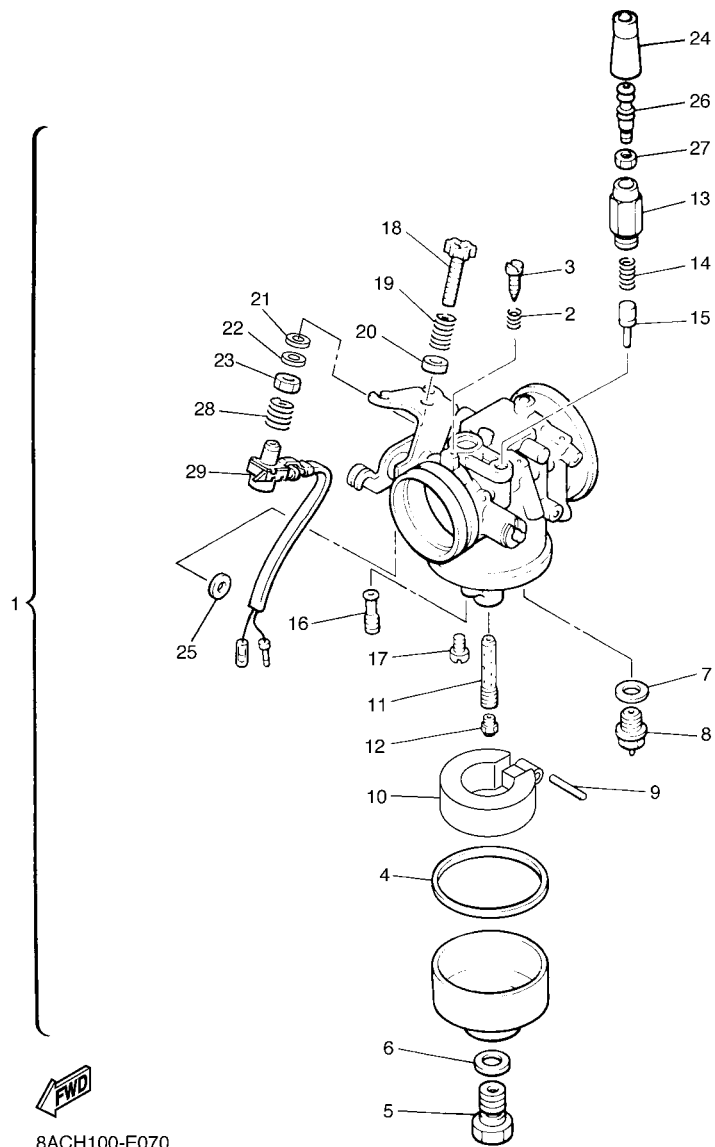


FIG. 6 INTAKE

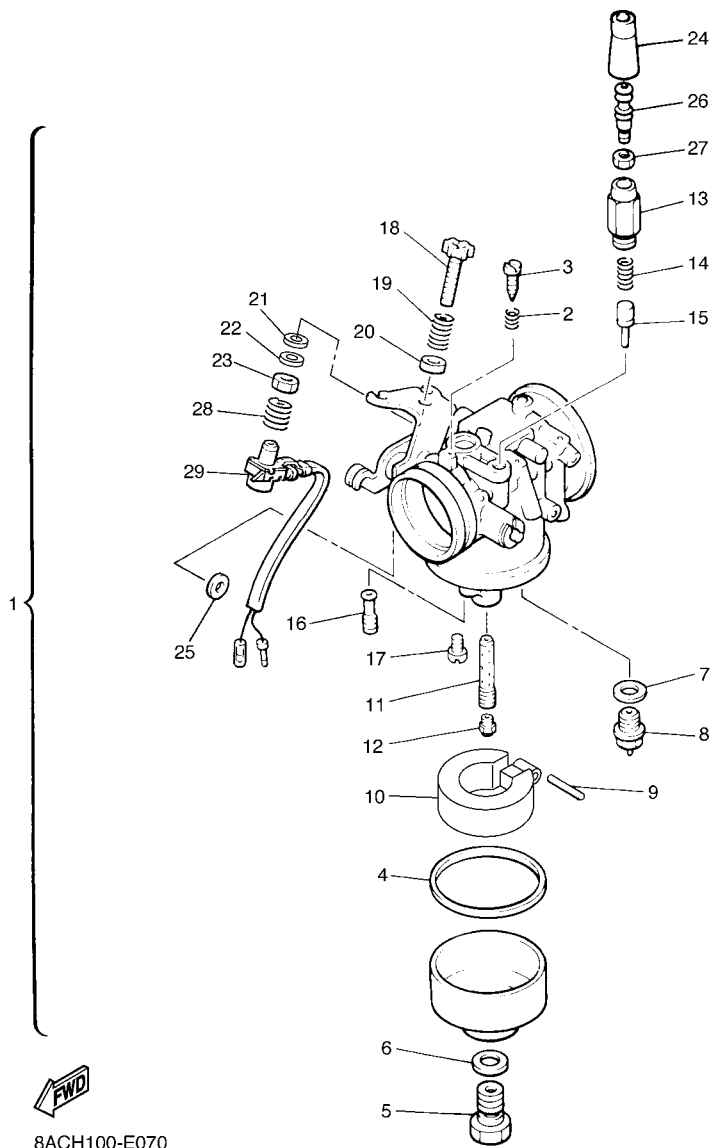
REF. NO.	PART NO.	DESCRIPTION	EUR	RUS	JPN	REMARKS
28	83R-14425-00	DAMPER 1	2	2	2	
29	8AT-24410-00	FUEL PUMP ASSY	1	1	1	
30	90387-063W4	COLLAR	2	2	2	
31	90465-08316	CLAMP	1	1	1	
32	95707-06500	NUT, FLANGE	2	2	2	
33	90445-11735	HOSE (L320)	1	1	1	
34	90501-084G9	SPRING, COMPRESSION	1	1	1	
35	90467-11032	CLIP	2	2	2	
36	90445-092K1	HOSE (L420)	1	1	1	
37	90501-084J0	SPRING, COMPRESSION	1	1	1	
38	90467-09026	CLIP	2	2	2	
39	90445-114K5	HOSE (L80)	1	1	1	
40	84M-24327-00	PROTECTOR, PIPE	1	1	1	
41	90467-11032	CLIP	1	1	1	
42	90467-11009	CLIP	1	1	1	



8ACH100-E070

FIG. 7 CARBURETOR

REF. NO.	PART NO.	DESCRIPTION	EUR	RUS	JPN	REMARKS
1	84R-14101-02	CARBURETOR ASSY 1	1	1		
	86R-14101-02	CARBURETOR ASSY 1			1	
2	82A-14134-00	.SPRING, AIR ADJUSTING	1	1	1	
3	620-14211-00	.SCREW, PILOT ADJUSTING	1	1	1	
4	8M6-14126-00	.GASKET	1	1	1	
5	8M6-14261-00	.HOLDER	1	1	1	
6	286-14198-00	.GASKET	1	1	1	
7	214-14195-00	.WASHER, NEEDLE VALVE	1	1	1	
8	83R-14190-15	.NEEDLE VALVE ASSY	1	1	1	
9	68V-14186-00	.PIN, FLOAT	1	1		
	8M6-14186-00	.PIN, FLOAT			1	
10	8M6-14185-00	.FLOAT	1	1	1	
11	83R-14941-4E	.NOZZLE, MAIN	1	1	1	
12	3G2-1414E-56	.JET, MAIN (#141.3)	1	1	1	STD
	3G2-14231-77	.JET, MAIN (#132.5)	1	1	1	AP
	3G2-14231-27	.JET, MAIN (#135)	1	1	1	AP
	3G2-14231-78	.JET, MAIN (#137.5)	1	1	1	AP
	3G2-14231-28	.JET, MAIN (#140)	1	1	1	AP
	3G2-14231-79	.JET, MAIN (#142.5)	1	1	1	AP
13	8U9-14174-00	.CAP, PLUNGER	1	1		
	8G8-14174-00	.CAP, PLUNGER			1	
14	127-14135-00	.COIL, SPRING	1	1	1	
15	8G8-14171-00	.PLUNGER, STARTER	1	1	1	
16	193-14142-90	.JET, PILOT (# 90)	1	1	1	STD
	193-1414F-00	.JET, PILOT (# 100)	1	1	1	AP
17	8V0-14118-00	.CAP	2	2	2	
18	89A-14125-00	.SCREW	1	1		



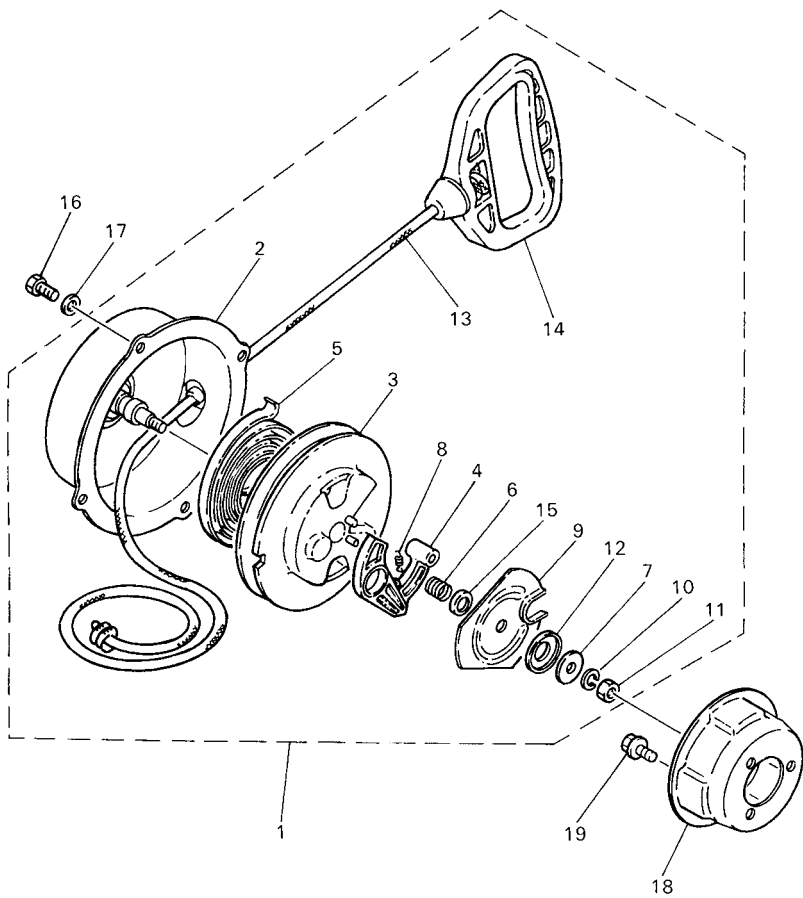
8ACH100-E070

FIG. 7 CARBURETOR

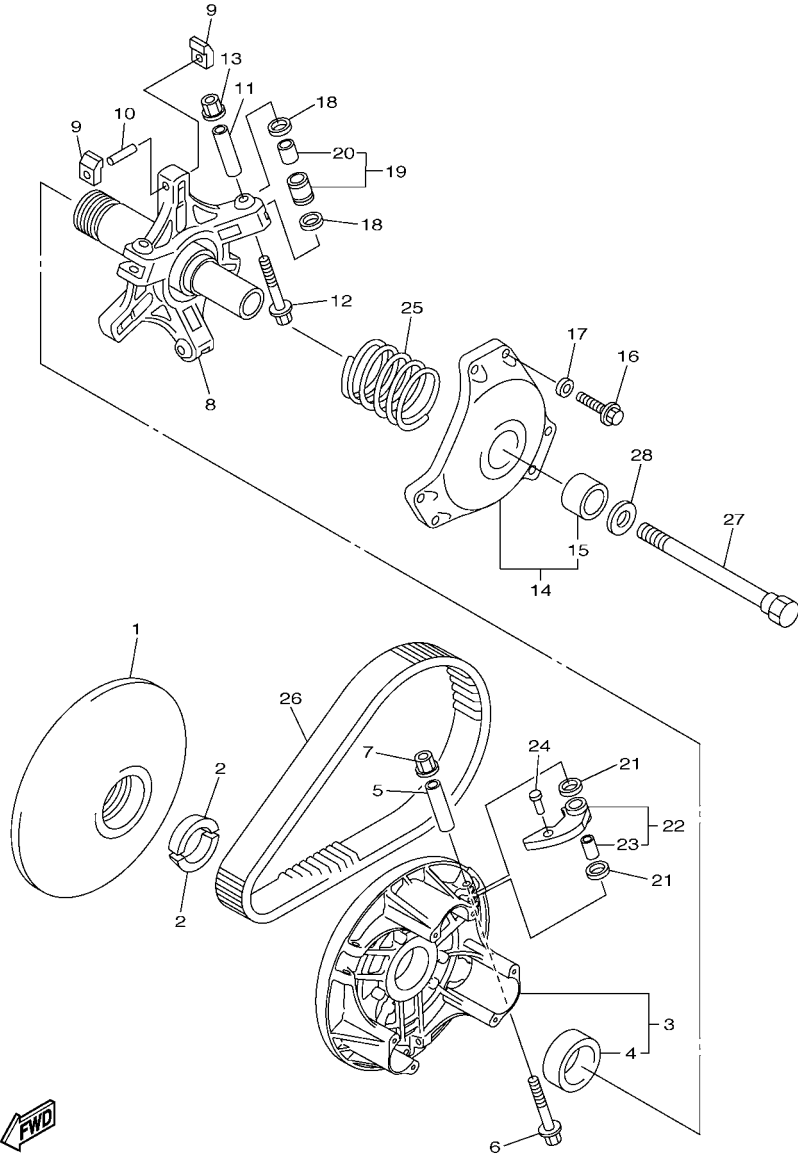
REF. NO.	PART NO.	DESCRIPTION	EUR	RUS	JPN	REMARKS
18	80L-14122-00	.SCREW, THROTTLE			1	
19	2J2-14133-00	.SPRING, THROTTLE STOP	1	1		
	8X0-14500-00	.SPRING			1	
20	89A-14265-00	.COLLAR	1	1		
	8X0-14184-00	.RING			1	
21	22F-14117-00	.WASHER, PLUG SCREW	1	1	1	
22	1UF-14952-00	.WASHER	1	1	1	
23	8X0-14358-00	.NUT	1	1	1	
24	8A7-14169-00	.CAP	1	1	1	
25	80L-14227-00	.WASHER	1	1	1	
26	127-14124-20	.SCREW, CABLE ADJUSTING	1	1	1	
27	802-14161-00	.NUT, CABLE ADJUSTING	1	1	1	
28	89A-24529-00	.SPRING	1	1		
	8X0-14133-00	.SPRING, THROTTLE STOP			1	
29	87S-8259A-01	.SWITCH, CARBURETOR	1	1	1	

FIG. 10 STARTER

REF. NO.	PART NO.	DESCRIPTION	EUR	RUS	JPN	REMARKS
1	8H8-15710-00	STARTER ASSY	1	1	1	
2	8H8-15711-00	.CASE, STARTER	1	1	1	
3	8F3-15714-01	.DRUM, SHEAVE	1	1	1	
4	8F3-15741-01	.PAWL, DRIVE	1	1	1	
5	8F3-15713-01	.SPRING, STARTER	1	1	1	
6	8F3-15715-00	.SPRING, FRICTION	1	1	1	
7	8F3-15739-01	.WASHER, THRUST	1	1	1	
8	8F3-15734-00	.SPRING, RETURN	1	1	1	
9	8F3-15716-03	.PLATE, DRIVE	1	1	1	
10	92901-06100	.WASHER, SPRING	1	1	1	
11	95301-06700	.NUT	1	1	1	
12	8G5-15739-00	.WASHER, THRUST	1	1	1	
13	8F3-15751-00	.WIRE, STARTER	1	1	1	
14	8F3-15755-00	.HANDLE, STARTER	1	1	1	
15	8G5-15716-00	.COLLAR	1	1	1	
16	97007-06014	BOLT	4	4	4	
17	92907-06600	WASHER, PLATE	4	4	4	
18	8H8-15723-01	PULLEY, STARTER	1	1	1	
19	95827-08016	BOLT, FLANGE	3	3	3	



8AC3100-6110



8ACT100-K110

FIG. 11 PRIMARY SHEAVE

REF. NO.	PART NO.	DESCRIPTION	EUR	RUS	JPN	REMARKS
1	8FA-17611-01	SHEAVE, PRIMARY FIXED	1	1	1	
2	8V0-17639-00	STOPPER	2	2	2	
3	8BV-17620-03	PRIMARY SLIDING SHEAVE COMP.	1	1	1	
4	90384-41242	.BUSH, BIMETAL FORMED	1	1	1	
5	90387-0514T	COLLAR	3	3	3	
6	90105-05644	BOLT, FLANGE	3	3	3	
7	95602-05200	NUT, SELF-LOCKING	3	3	3	
8	8ES-17640-02	SPIDER COMPLETE	1	1	1	
9	8BW-17653-00	SLIDER	6	6	6	
10	91609-50032	PIN, SPRING	3	3	3	
11	90387-0514U	COLLAR	3	3	3	
12	90105-05644	BOLT, FLANGE	3	3	3	
13	95602-05200	NUT, SELF-LOCKING	3	3	3	
14	8BV-17630-11	PRIMARY SHEAVE CAP COMP.	1	1	1	
15	90380-28237	.BUSH, SOLID	1	1	1	
16	97017-06030	BOLT	6	6	6	
17	92907-06600	WASHER, PLATE	6	6	6	
18	90202-09227	WASHER, PLATE	6	6	6	
19	8FG-17624-00	ROLLER, COMP	3	3	3	
20	90386-09001	.BUSH	1	1	1	
21	90202-08204	WASHER, PLATE	6	6	6	
22	8AT-17605-10	WEIGHT COMP	3	3	3	
23	90386-08002	.BUSH	1	1	1	
24	90261-06033	RIVET, COUNTERSUNK (ST17.2MM)	3	3	3	STD
	90261-06015	RIVET, COUNTERSUNK (ST10.3MM)	3	3	3	AP
	90261-06019	RIVET, COUNTERSUNK (ST13.3MM)	3	3	3	AP
25	90501-556G6	SPRING, COMPRESSION	1	1	1	STD (BLUE)



8AC6100-9120

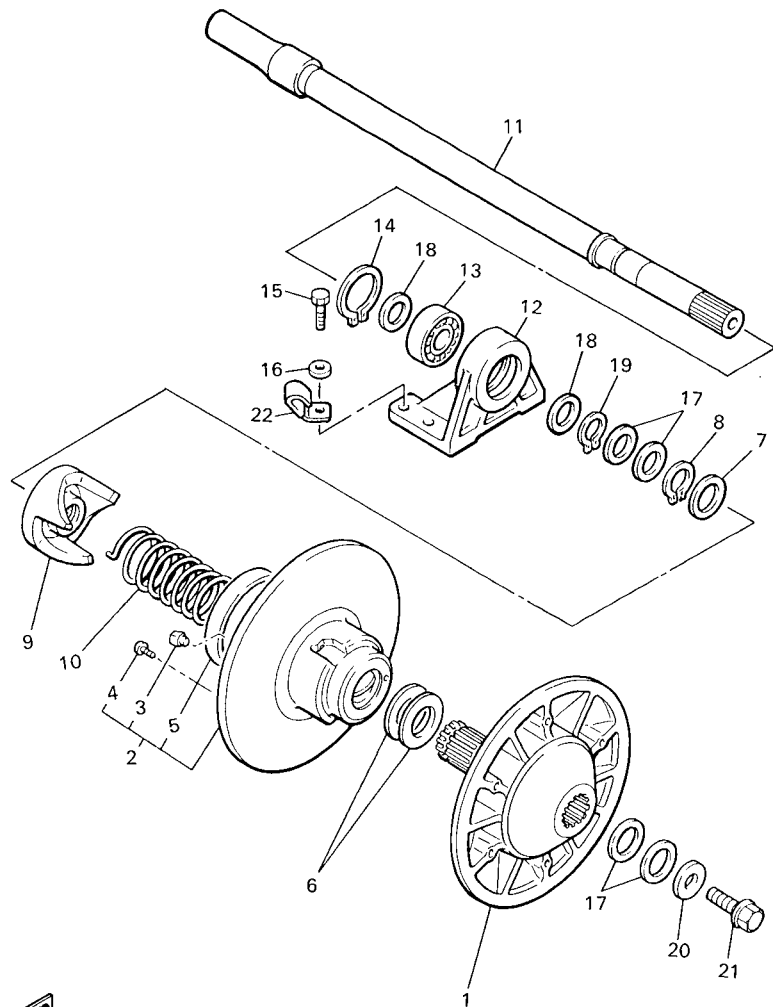


FIG. 12 SECONDARY SHEAVE

REF. NO.	PART NO.	DESCRIPTION	EUR	RUS	JPN	REMARKS
1	88R-17660-03	SECONDARY FIXED SHEAVE COMP.	1	1	1	
2	8AT-17670-01	SECONDARY SLIDING SHEAVE	1	1	1	
3	8X6-17688-00	.SHOE, RAMP	3	3	3	
4	90154-06062	.SCREW, BINDING	3	3	3	
5	90384-90081	.BUSH, BIMETAL FORMED	1	1	1	
6	90201-345G2	WASHER, PLATE	2	2	2	
7	90214-29060	WASHER, CLAW	1	1	1	
8	93440-34170	CIRCLIP	1	1	1	
9	8AT-17684-01	SEAT, SECONDARY SPRING	1	1	1	
10	90508-50746	SPRING, TORSION	1	1	1	
11	88N-17680-02	SECONDARY SHAFT COMP.	1	1	1	
12	88N-47631-00	HOUSING, BEARING	1	1	1	
13	93306-20582	BEARING	1	1	1	
14	99009-52500	CIRCLIP	1	1	1	
15	97027-08020	BOLT, HEXAGON	4	4	4	
16	92907-08600	WASHER, PLATE	4	4	4	
17	90201-252F1	WASHER, PLATE (T0.5)	1	1	1	UR UN
	90201-25527	WASHER, PLATE (T1.0)	2	2	2	UR UN
	90201-25526	WASHER, PLATE (T2.0)	2	2	2	UR UN
18	90201-257J2	WASHER, PLATE	2	2	2	
19	93410-25017	CIRCLIP	1	1	1	
20	90201-104A7	WASHER, PLATE	1	1	1	
21	95817-10020	BOLT, FLANGE	1	1	1	
22	90465-08316	CLAMP	1	1	1	

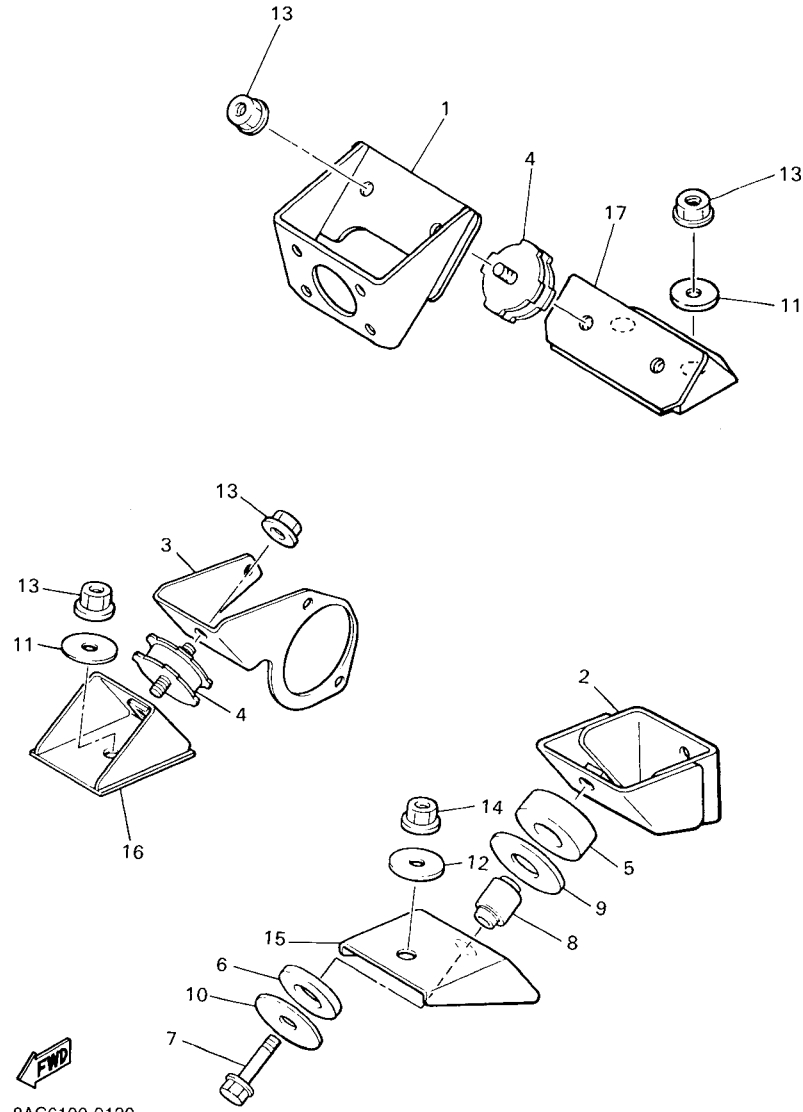
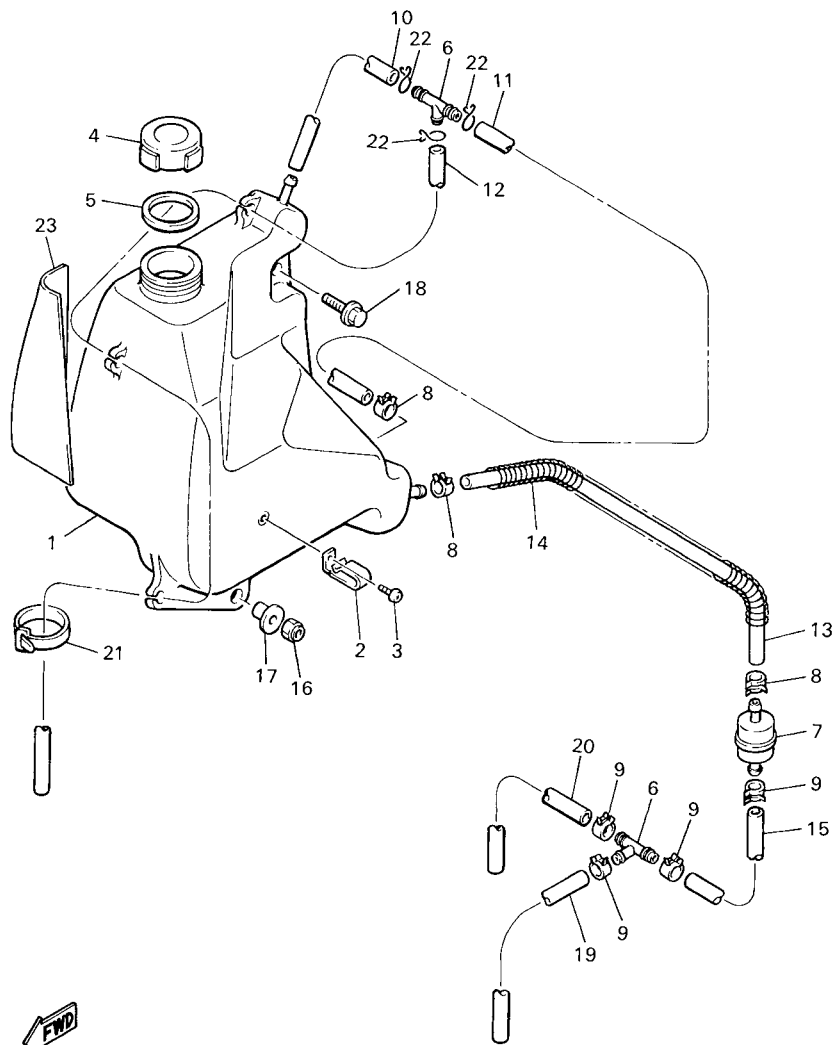


FIG. 13 ENGINE BRACKET

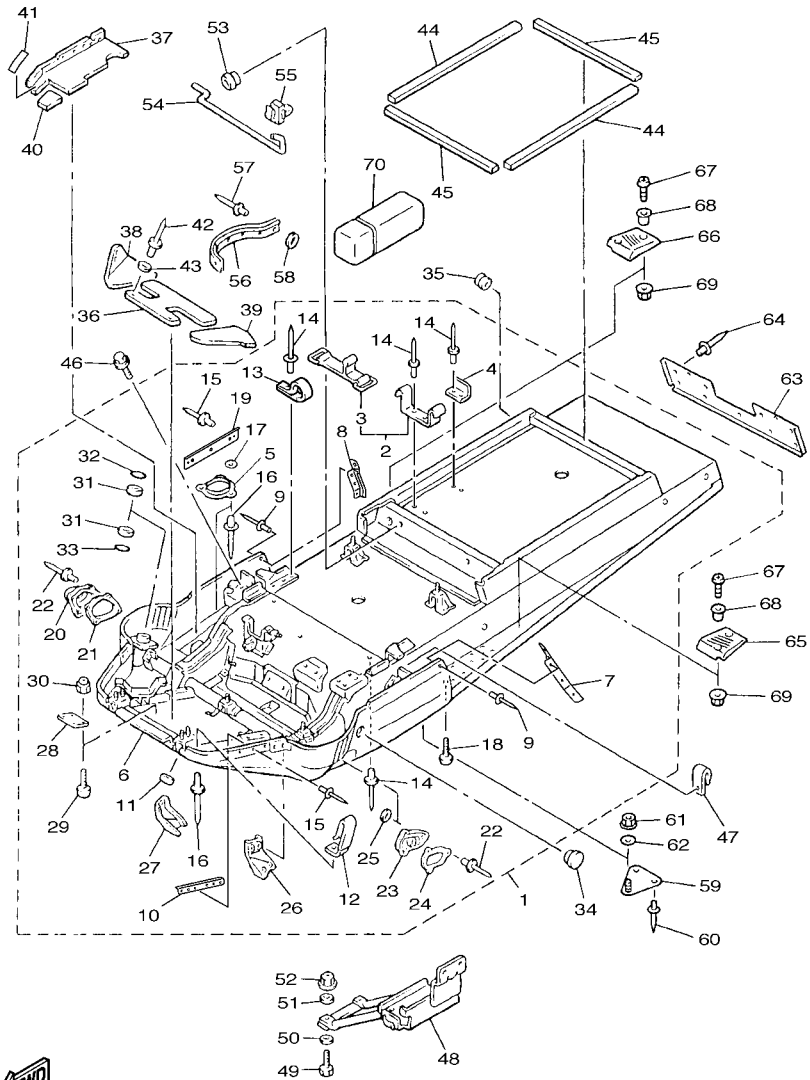
REF. NO.	PART NO.	DESCRIPTION	EUR	RUS	JPN	REMARKS
1	8H8-21411-01	BRACKET, ENGINE 1	1	1	1	
2	83R-21419-01	BRACKET, ENGINE 2	1	1	1	
3	8H8-21429-01	BRACKET, ENGINE 3	1	1	1	
4	8N7-21486-00	DAMPER 2	3	3	3	
5	8V9-21485-00	DAMPER, RUBBER 1	1	1	1	
6	8V9-21486-00	DAMPER 2	1	1	1	
7	95817-10045	BOLT, FLANGE	1	1	1	
8	90380-10129	BUSH, SOLID	1	1	1	
9	90201-257G7	WASHER, PLATE	1	1	1	
10	90201-107G8	WASHER, PLATE	1	1	1	
11	90201-10321	WASHER, PLATE	3	3	3	
12	90201-12317	WASHER, PLATE	1	1	1	
13	95707-10500	NUT, FLANGE	6	6	6	
14	95707-12500	NUT, FLANGE	1	1	1	
15	8AT-21417-00	BRACKET, FRONT LOWER 1	1	1	1	
16	8H8-21418-01	BRACKET, FRONT LOWER 2	1	1	1	
17	8H8-21427-00	BRACKET, REAR LOWER 1	1	1	1	



8AC6100-9140

FIG. 14 OIL TANK

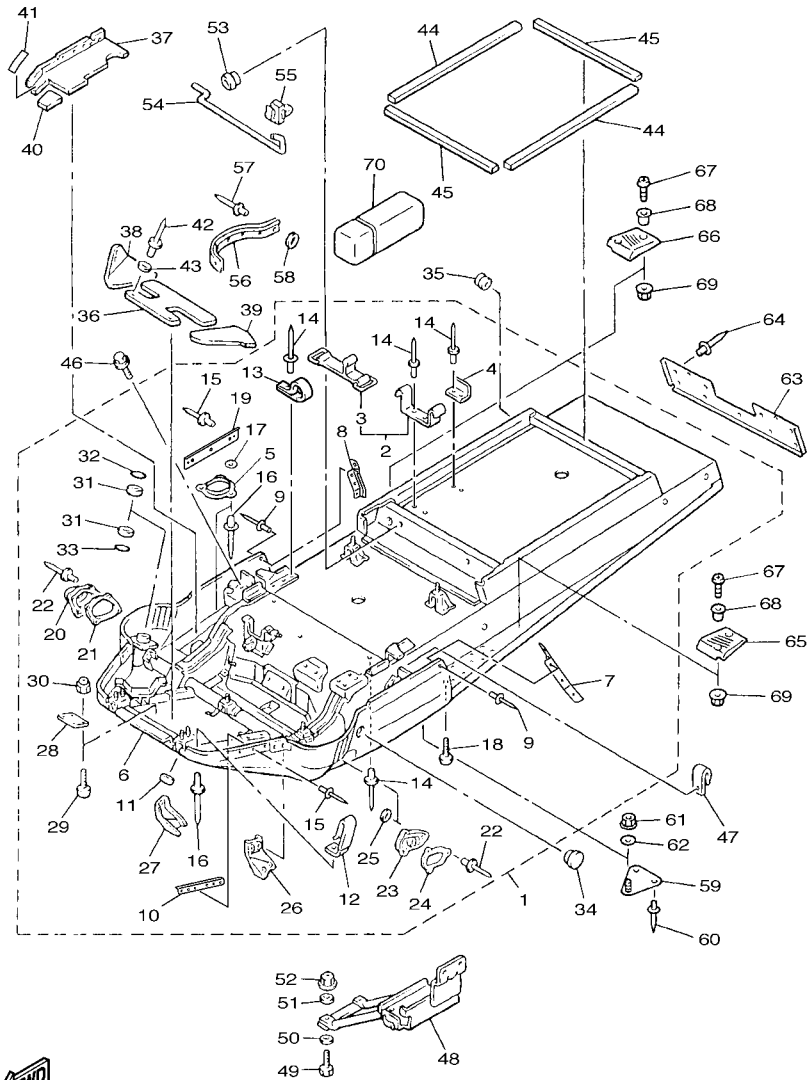
REF. NO.	PART NO.	DESCRIPTION	EUR	RUS	JPN	REMARKS
1	83R-21751-00	TANK, OIL	1	1	1	
2	90462-10209	CLAMP	1	1	1	
3	98907-06010	SCREW, BIND	1	1	1	
4	863-21771-00	BODY, CAP	1	1	1	
5	90430-31003	GASKET	1	1	1	
6	801-24376-00	PIPE, JOINT 1	2	2	2	
7	8G8-13410-00	STRAINER HOUSING ASSY	1	1	1	
8	90467-11032	CLIP	2	2	2	
9	90467-09026	CLIP	4	4	4	
10	91A30-05010	TUBE, FLEXIBLE VINYL	1	1	1	
11	91A30-05120	TUBE, FLEXIBLE VINYL	1	1	1	
12	91A30-05085	TUBE, FLEXIBLE VINYL	1	1	1	
13	91A30-07016	TUBE, FLEXIBLE VINYL	1	1	1	
14	84M-24327-00	PROTECTOR, PIPE	1	1	1	
15	91A30-05004	TUBE, FLEXIBLE VINYL	1	1	1	
16	95607-06100	NUT, U	1	1	1	
17	90387-061U9	COLLAR	2	2	2	
18	95807-06016	BOLT, FLANGE	1	1	1	
19	91A30-05052	TUBE, FLEXIBLE VINYL	1	1	1	
20	91A30-05060	TUBE, FLEXIBLE VINYL	1	1	1	
21	90464-16061	CLAMP	1	1	1	
22	90467-08017	CLIP	3	3	3	
23	8AT-21747-00	DAMPER	1	1	1	



8ACW300-L150

FIG. 15 FRAME

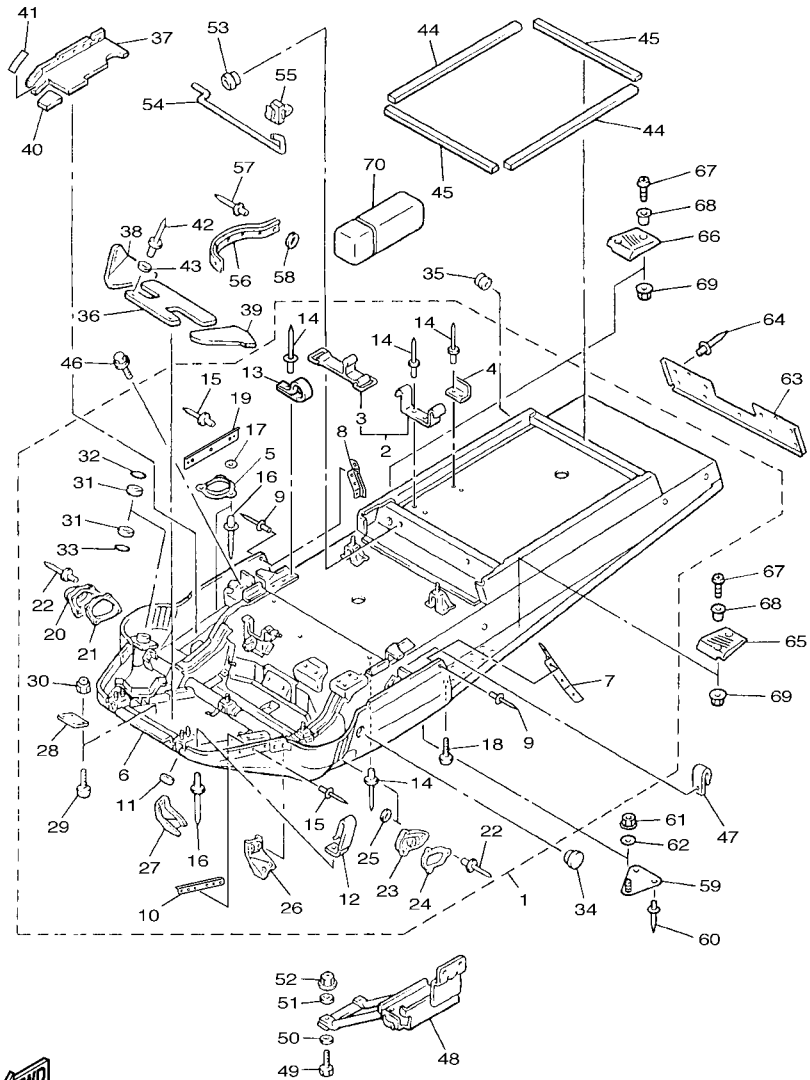
REF. NO.	PART NO.	DESCRIPTION	EUR	RUS	JPN	REMARKS
1	8AC-21910-01	FRAME COMP.	1	1	1	
2	81E-21945-00	.BRACKET, TOOL BOX FITTING	1	1	1	
3	4J2-82131-01	..BAND, BATTERY	1	1	1	
4	83R-21955-00	.BRACKET, TOOL BOX FITTING	1	1	1	
5	83R-2198F-00	.COVER 1	1	1	1	
6	8AC-21912-00	.PANEL, SUB FRAME 1	1	1	1	
7	83R-21986-00	.REINFORCEMENT, FRAME 1	1	1	1	
8	83R-21987-00	.REINFORCEMENT, FRAME 2	1	1	1	
9	90267-49152	.RIVET, BLIND (4.9X16.1)	6	6	6	
10	8AC-21965-00	.PATCH 5	2	2	2	
11	90387-081R2	.COLLAR	2	2	2	
12	90465-08368	.CLAMP	5	5	5	
13	90462-05059	.CLAMP	1	1	1	
14	90267-48060	.RIVET,BLIND (4.8X12.9 BLACK)	40	40	40	
15	90267-48051	.RIVET, BLIND (4.8X18.7 BLACK)	14	14	14	
16	90267-48018	.RIVET, BLIND (4.8X18.6 BLACK)	42	42	42	
17	90201-04325	.WASHER, PLATE	3	3	3	
18	98907-06016	.SCREW, BIND	4	4	4	
19	8AT-77527-02	.PLATE, BACK UP	2	2	2	
20	8AT-23818-00	.COVER, STEERING	1	1	1	
21	8AT-77526-00	.WASHER 2	1	1	1	
22	90267-40029	.RIVET, BLIND (4X18 BLACK)	7	7	7	
23	8M6-2198F-00	.COVER 1	1	1	1	
24	8M6-21998-00	.SPACER	1	1	1	
25	90201-043H5	.WASHER, PLATE	3	3	3	
26	8AT-2194Y-00	.BRACKET, FRONT GUARD 3	1	1	1	
27	8AT-2195Y-00	.BRACKET, FRONT GUARD 4	1	1	1	



8ACW300-L150

FIG. 15 FRAME

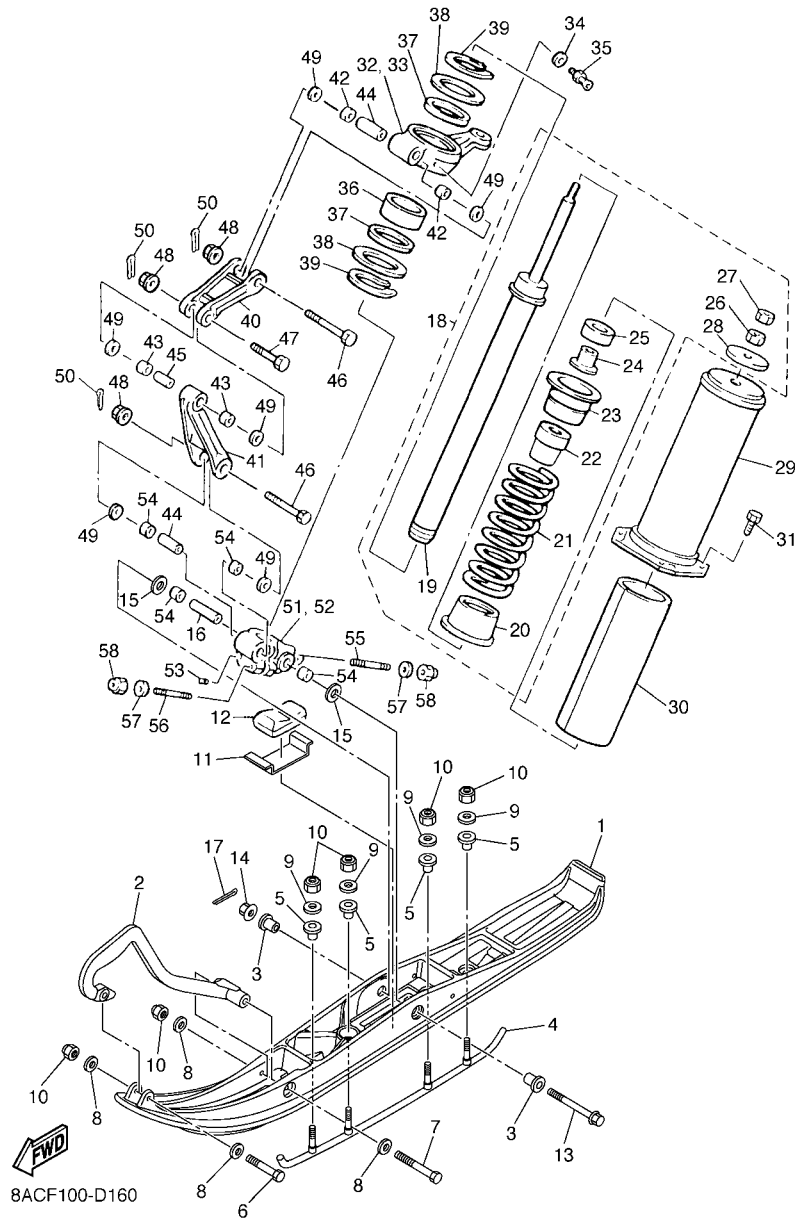
REF. NO.	PART NO.	DESCRIPTION	EUR	RUS	JPN	REMARKS
28	89X-21917-00	.PANEL, SUB FRAME 6	2	2	2	
29	98907-05014	.SCREW, BIND	8	8	8	
30	95707-05300	.NUT, FLANGE	8	8	8	
31	90384-36134	.BUSH, BIMETAL FORMED	4	4	4	
32	93102-36232	.OIL SEAL	2	2	2	
33	93103-36117	.OIL SEAL	2	2	2	
34	90338-44093	PLUG	3	3	3	
35	90480-15061	GROMMET	1	1	1	
36	8AT-77271-00	DAMPER, NOISE 11	1	1	1	
37	8AC-77272-00	DAMPER, NOISE 12	1	1	1	
38	8AT-77273-10	DAMPER, NOISE 13	1	1	1	
39	8AT-77274-00	DAMPER, NOISE 14	1	1	1	
40	8AT-77275-00	DAMPER, NOISE 15	1	1	1	
41	8CR-77165-00	TRIM 1	1	1	1	
42	90267-48018	RIVET, BLIND (4.8X18.6 BLACK)	2	2	2	
43	90201-04325	WASHER, PLATE	2	2	2	
44	83R-7717E-00	TAPE 1	2	2	2	
45	83R-7717F-00	TAPE 2	2	2	2	
46	95807-06012	BOLT, FLANGE	4	4	4	
47	90465-08125	CLAMP	1	1	1	
48	8AT-2199G-01	BRACKET, BATTERY	1	1	1	
49	97027-06025	BOLT, HEXAGON	2	2	2	
50	90201-06778	WASHER, PLATE	2	2	2	
51	90201-063A5	WASHER, PLATE	2	2	2	
52	95707-06300	NUT, NYLON	2	2	2	
53	90480-10348	GROMMET	1	1	1	
54	85R-2471A-00	STAY, SEAT	1	1	1	



8ACW300-L150

FIG. 15 FRAME

REF. NO.	PART NO.	DESCRIPTION	EUR	RUS	JPN	REMARKS
55	85R-2639F-00	HOLDER 2	1	1	1	
56	8AT-2196T-00	TRIM 1	2	2	2	
57	90267-40172	RIVET, BLIND (4X19)	12	12	12	
58	90201-042E0	WASHER, PLATE	12	12	12	
59	8AC-2198G-00	COVER 2	1	1	1	
60	90267-47186	RIVET, BLIND (4.7X16.4 BLACK)	2	2	2	
61	95707-06300	NUT, NYLON	1	1	1	
62	90201-067A0	WASHER, PLATE	1	1	1	
63	8AC-21933-00	REINFORCEMENT, FRAME REAR 2	1	1	1	
64	90267-47186	RIVET, BLIND (4.7X16.4 BLACK)	6	6	6	
65	88T-27431-10	FOOTREST, REAR 1	1	1	1	
66	88T-27441-10	FOOTREST, REAR 2	1	1	1	
67	98907-06025	SCREW, BIND	4	4	4	
68	90387-063E6	COLLAR	4	4	4	
69	95707-06500	NUT, FLANGE	4	4	4	
70	85L-28100-00	TOOL KIT	1	1	1	



8ACF100-D160

FIG. 16 SKI

REF. NO.	PART NO.	DESCRIPTION	EUR	RUS	JPN	REMARKS
1	8AC-23711-00	SKI 1	2	2	2	
2	8DM-23712-00	REINFORCEMENT, HEAD	2	2	2	
3	8AC-23754-00	COLLAR, 1	4	4	4	
4	8EN-23731-01	RUNNER 1	2	2	2	
5	8EK-23751-00	BUSH, SKI 1	8	8	8	
6	8HG-23755-00	BOLT, REINFORCEMENT HEAD 1	2	2	2	
7	8HG-23756-00	BOLT, REINFORCEMENT HEAD 2	2	2	2	
8	8HG-23737-00	WASHER 1	8	8	8	
9	8HG-23738-00	WASHER 2	8	8	8	
10	8HG-23778-00	NUT	12	12	12	
11	8AC-23765-00	STOPPER	2	2	2	
12	88T-23743-00	STOPPER 1	2	2	2	
13	90105-10106	BOLT, FLANGE	2	2	2	
14	95607-10200	NUT, U FLANGE	2	2	2	
15	90201-100S7	WASHER, PLATE	4	4	4	
16	90387-106J3	COLLAR	2	2	2	
17	91401-20020	PIN, COTTER	2	2	2	
18	8AC-2376A-00	ABSORBER ASSY 1	2	2	2	
19	8AT-22401-00	.DAMPER SUB ASSY	1	1	1	
20	82M-23777-00	.SEAT, SPRING 2	1	1	1	
21	90501-75612	.SPRING, COMPRESSION	1	1	1	
22	89L-22493-00	.BUMP, STOP	1	1	1	
23	8L0-23788-00	.PLATE, BACK UP	1	1	1	
24	90387-084R1	.COLLAR	1	1	1	
25	82M-23779-00	.WASHER	1	1	1	
26	90170-08220	.NUT	1	1	1	
27	95307-08600	.NUT	1	1	1	

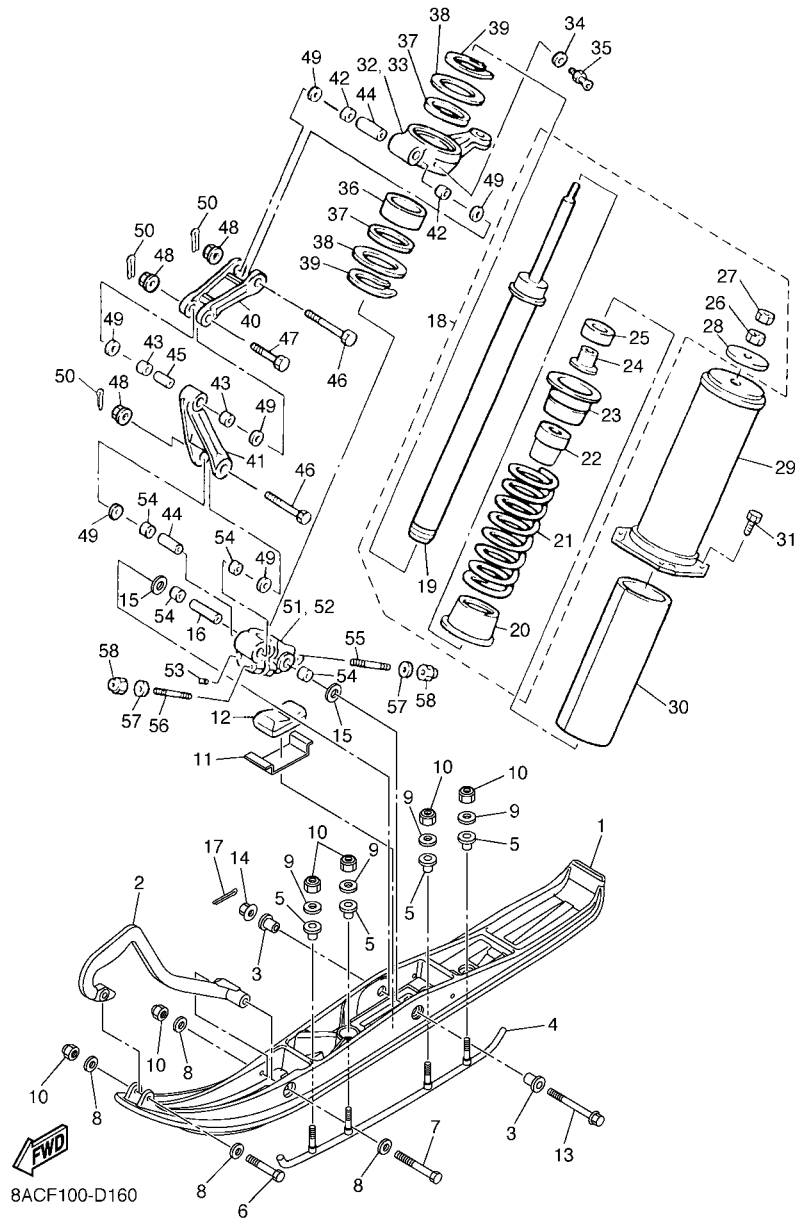
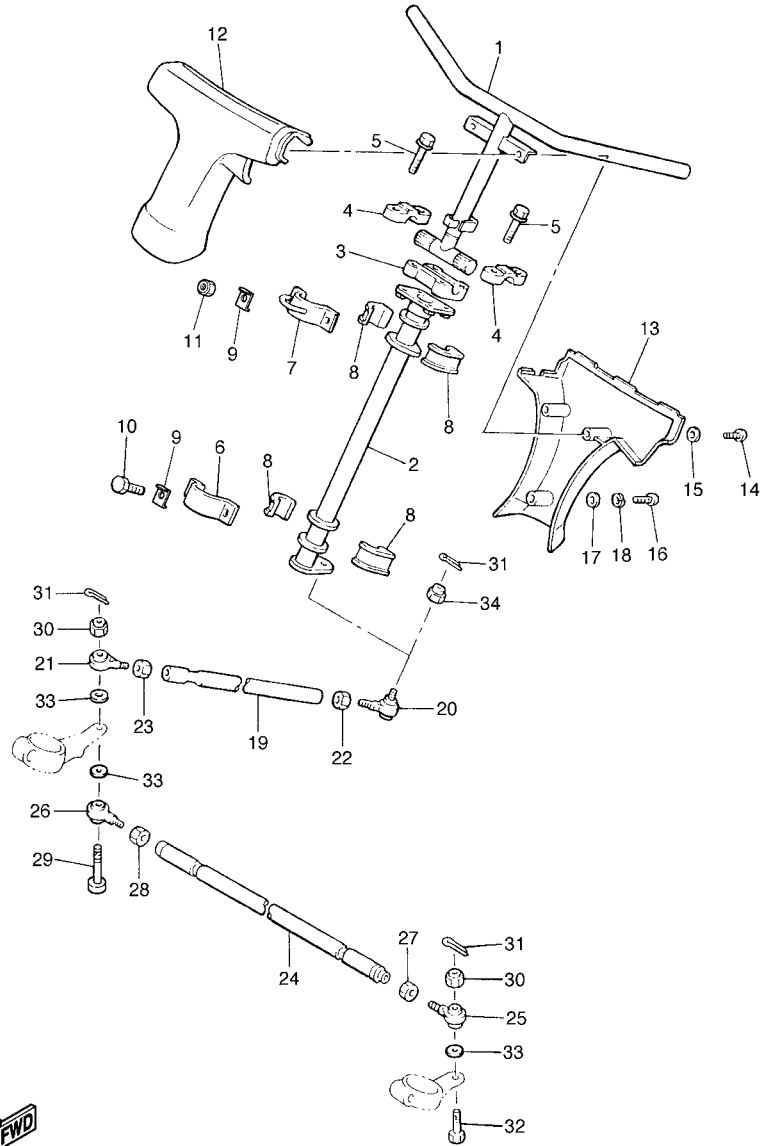


FIG. 16 SKI

REF. NO.	PART NO.	DESCRIPTION	EUR	RUS	JPN	REMARKS
28	90201-080L1	.WASHER, PLATE	1	1	1	
29	8AT-2376J-00	HOLDER, ABSORBER	2	2	2	
30	8L0-2376R-00	PROTECTOR	2	2	2	
31	97027-06020	BOLT, HEXAGON	8	8	8	
32	82M-23851-00	ARM, OUTSIDE 1 (L,H)	1	1	1	
33	8AT-23852-00	ARM, OUTSIDE 2	1	1	1	
34	90201-067F9	WASHER, PLATE	2	2	2	
35	93700-06004	NIPPLE, GREASE	2	2	2	
36	90384-53175	BUSH, BIMETAL FORMED	2	2	2	
37	93109-53036	OIL SEAL	4	4	4	
38	90201-536A1	WASHER, PLATE (T=1.0)	4	4	4	UR UN
	90201-535H6	WASHER, PLATE (T=2.0)	4	4	4	UR UN
39	93410-52061	CIRCLIP	4	4	4	
40	8L0-2382E-01	ARM, FRONT 1	2	2	2	
41	8L0-2382F-00	ARM, FRONT 2	2	2	2	
42	90384-14091	BUSH, BIMETAL FORMED	4	4	4	
43	90384-14096	BUSH, BIMETAL FORMED	4	4	4	
44	90387-101Y9	COLLAR	4	4	4	
45	90387-100A4	COLLAR	2	2	2	
46	90102-10039	BOLT, WITH HOLE	4	4	4	
47	90102-10067	BOLT, WITH HOLE	2	2	2	
48	95707-10300	NUT, FLANGE	6	6	6	
49	90202-14037	WASHER, PLATE	12	12	12	
50	91401-20020	PIN, COTTER	6	6	6	
51	84M-2376E-00	BRACKET 1	1	1	1	(L,H)
52	84M-2377E-00	BRACKET 2	1	1	1	(R,H)
53	90113-06039	BOLT, SET	2	2	2	



8ACF100-D170

FIG. 17 STEERING

REF. NO.	PART NO.	DESCRIPTION	EUR	RUS	JPN	REMARKS
1	8AU-23811-10	COLUMN, STEERING	1	1	1	
2	8AT-23813-01	COLUMN, STEERING 2	1	1	1	
3	8G5-23814-00	HOLDER,HANDLE UNDER	1	1	1	
4	8K1-23814-00	HOLDER, HANDLE	2	2	2	
5	95827-08055	BOLT, FLANGE	4	4	4	
6	84M-23868-00	BRACKET, STEERING LOWER	1	1	1	
7	84M-23872-00	HOLDER, BEARING	1	1	1	
8	8F3-23812-00	BEARING, STEERING	4	4	4	
9	8AC-23894-01	WASHER, LOCK 1	4	4	4	
10	90101-08005	BOLT	2	2	2	
11	90185-08054	NUT, SELF-LOCKING	2	2	2	
12	8W9-23815-00	PAD, STEERING	1	1	1	
13	8W9-23817-00	PAD, STEERING	1	1	1	
14	98507-05030	SCREW, PAN HEAD	2	2	2	
15	92907-05600	WASHER, PLATE	2	2	2	
16	98507-05008	SCREW, PAN HEAD	1	1	1	
17	92907-05200	WASHER	1	1	1	
18	92907-05100	WASHER, SPRING	1	1	1	
19	8AT-23821-00	ROD, STEERING RELAY	1	1	1	
20	86X-23841-00	JOINT, UNIVERSAL 1	1	1	1	
21	87S-23847-01	JOINT, UNIVERSAL 3	1	1	1	(L.H. THREAD)
22	95307-10700	NUT	1	1	1	
23	90170-10186	NUT	1	1	1	(L.H. THREAD)
24	8AT-23831-00	ROD, TIE	1	1	1	
25	87S-23845-01	JOINT, UNIVERSAL 2	1	1	1	
26	87S-23847-01	JOINT, UNIVERSAL 3	1	1	1	(L.H. THREAD)
27	95307-10700	NUT	1	1	1	

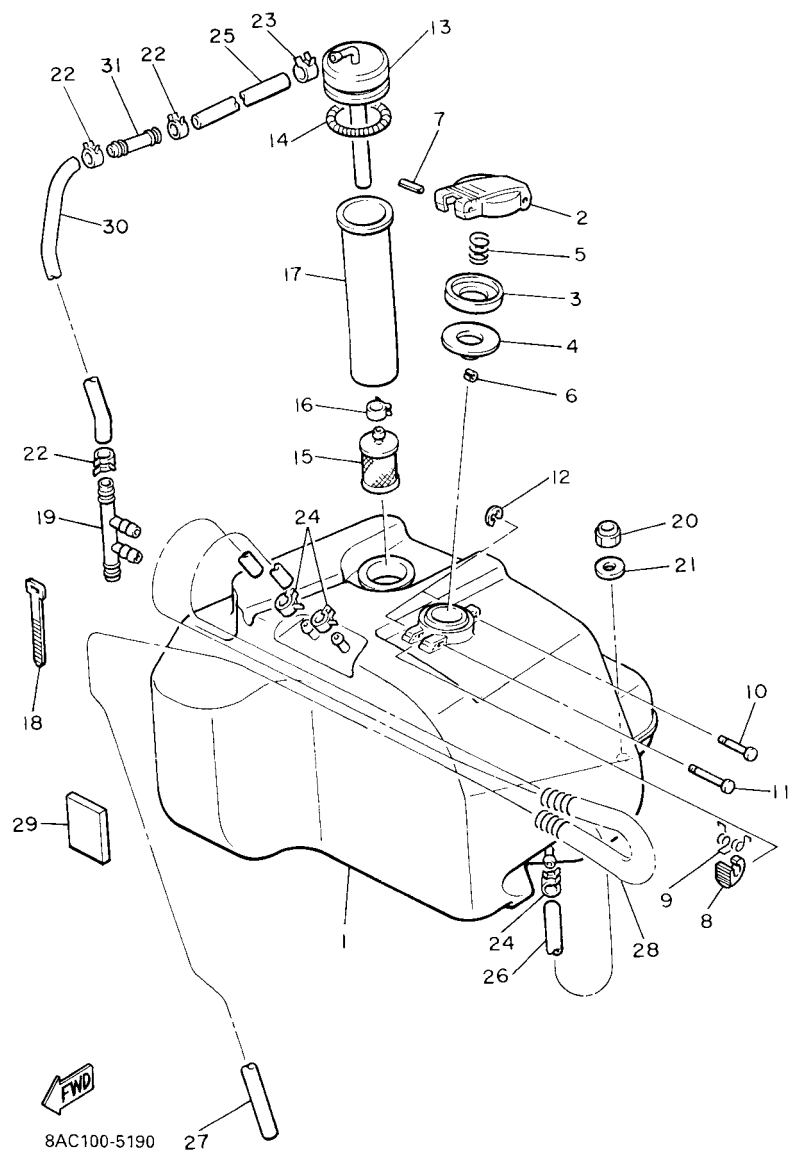
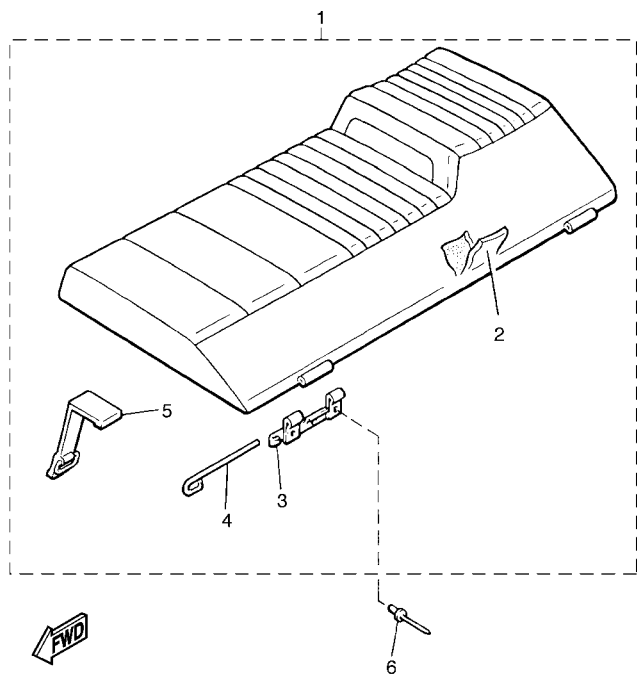
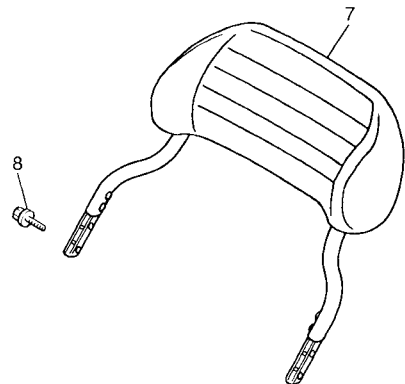


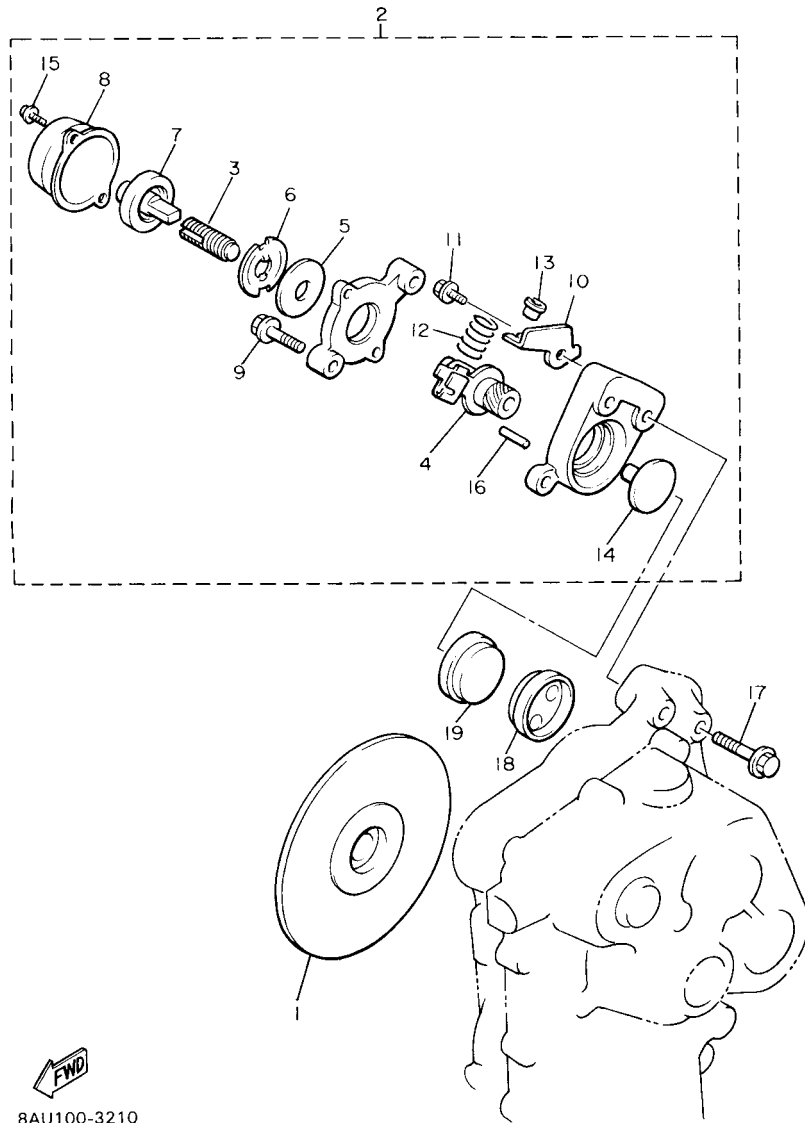
FIG. 19 FUEL TANK

REF. NO.	PART NO.	DESCRIPTION	EUR	RUS	JPN	REMARKS
1	83R-24111-00	TANK, FUEL	1	1	1	
2	8W6-24611-00	BODY, CAP	1	1	1	
3	813-24613-01	DISC, CAP	1	1	1	
4	8F7-24641-00	GASKET, CAP 1	1	1	1	
5	90501-20130	SPRING, COMPRESSION	1	1	1	
6	91609-30016	PIN, SPRING	1	1	1	
7	91609-25050	PIN, SPRING	1	1	1	
8	83M-24628-00	HOOK	1	1	1	
9	90508-10715	SPRING, TORSION	1	1	1	
10	90249-03175	PIN	1	1	1	
11	90249-03017	PIN	1	1	1	
12	93430-02001	CIRCLIP	2	2	2	
13	83R-24335-00	PIPE, SUCTION 1	1	1	1	
14	90506-06065	SPRING, TENSION	1	1	1	
15	8H5-24560-00	FILTER ASSY	1	1	1	
16	90467-11032	CLIP	1	1	1	
17	813-24336-00	PIPE, SUCTION 2	1	1	1	
18	341-26397-01	BAND	5	5	5	
19	82M-24376-00	PIPE, JOINT 1	1	1	1	
20	95707-08300	NUT, NYLON	2	2	2	
21	90201-08784	WASHER, PLATE	2	2	2	
22	90467-11009	CLIP	3	3	3	
23	90467-11032	CLIP	1	1	1	
24	90467-09026	CLIP	3	3	3	
25	90445-115K6	HOSE (L390)	1	1	1	
26	90445-095F1	HOSE (L650)	1	1		
	91A20-05065	TUBE, FLEXIBLE VINYL			1	

FIG. 20 SEAT



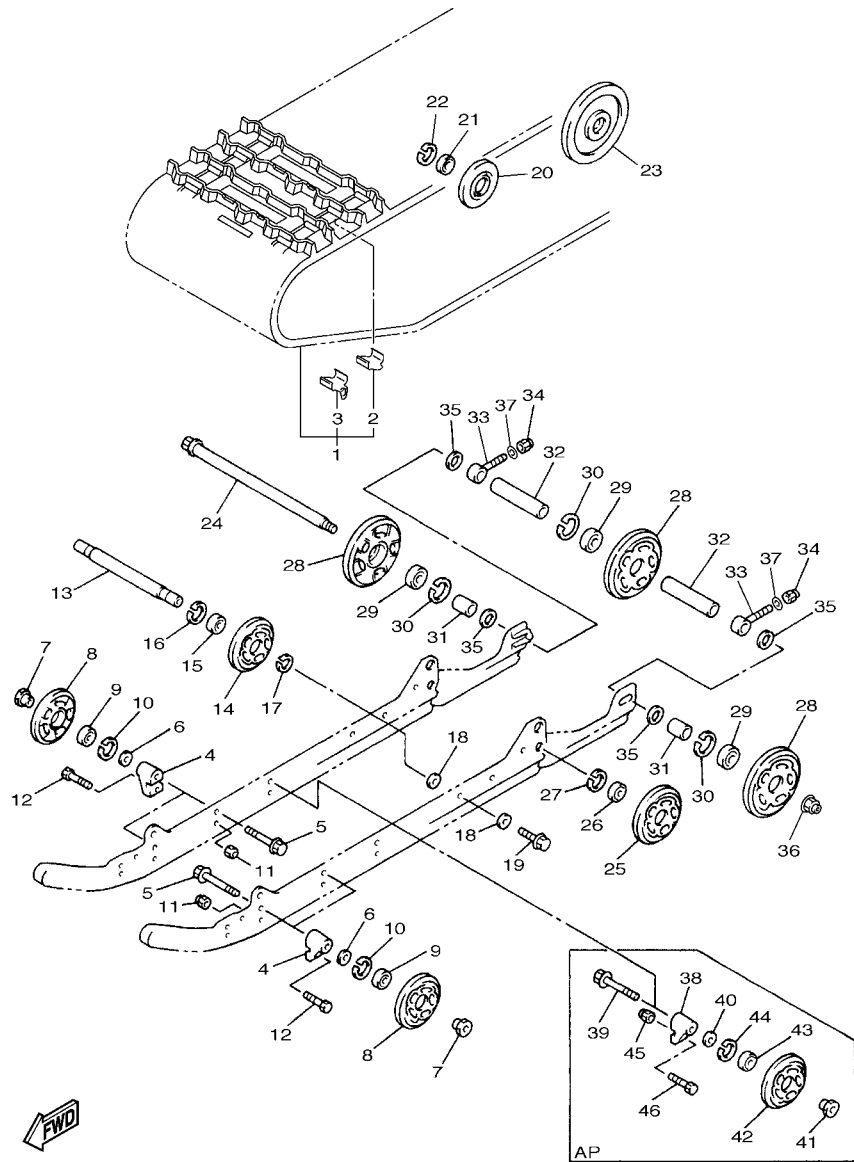
REF. NO.	PART NO.	DESCRIPTION	EUR	RUS	JPN	REMARKS
1	8AC-24730-00	DOUBLE SEAT ASSY	1	1	1	
2	8AC-2470F-00	.SEAT COVER COMP.	1	1	1	
3	83R-24729-00	.SPACER 2	2	2	2	
4	86V-77384-00	.PIN	2	2	2	
5	8AT-24778-00	.BAND, SEAT FITTING	2	2	2	
6	90267-48060	RIVET,BLIND (4.8X12.9 BLACK)	6	6	6	
7	8AC-24790-10	SEAT BACK ASSY	1	1	1	
8	90105-06437	BOLT, FLANGE	4	4	4	



8AU100-3210

FIG. 21 BRAKE

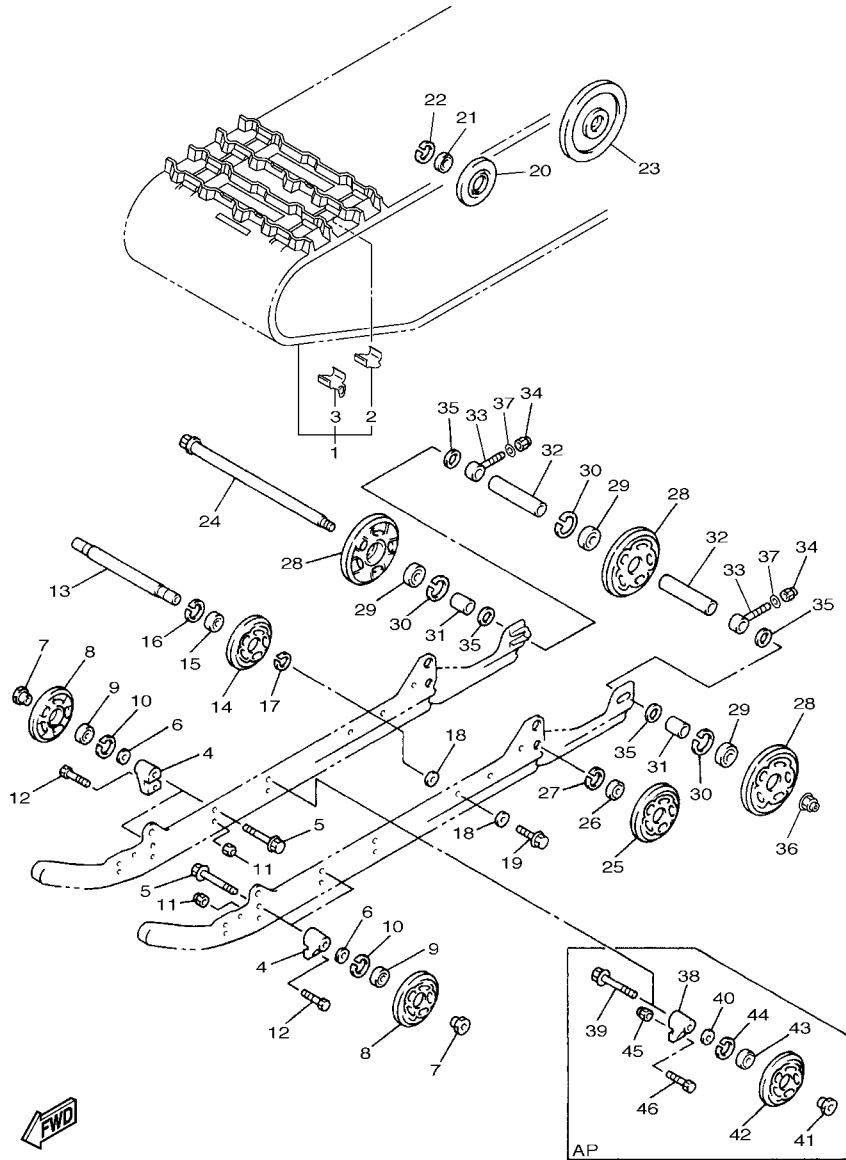
REF. NO.	PART NO.	DESCRIPTION	EUR	RUS	JPN	REMARKS
1	83R-25831-00	DISC, BRAKE (RIGHT)	1	1	1	
2	87R-25730-01	CALIPER BODY COMP.1	1	1	1	
3	86M-25738-00	.SCREW, ADJUSTING 1	1	1	1	
4	87R-25726-01	.LEVER, BRAKE	1	1	1	
5	86M-25827-00	.SHIM, CALIPER	1	1	1	
6	86M-25773-00	.LOCK, ONE WAY 2	1	1	1	
7	86M-25771-00	.RATCHET, ADJUSTING	1	1	1	
8	86M-25772-00	.COVER	1	1	1	
9	86M-25818-00	.BOLT, CALIPER	2	2	2	
10	87R-25721-00	.BRACKET, CALIPER	1	1	1	
11	86M-25826-00	.BOLT 3	1	1	1	
12	87R-25743-00	.SPRING	1	1	1	
13	87R-25722-00	.BRACKET, ADJUSTING	1	1	1	
14	86M-25733-00	.PLATE, BACK UP	1	1	1	
15	86M-25833-00	.BOLT, FITTING	2	2	2	
16	86M-25744-00	.PIN 2	1	1	1	
17	95827-10050	BOLT, FLANGE	2	2	2	
18	89J-25811-00	PAD, CALIPER 2	1	1	1	
19	89J-25911-00	PAD, CALIPER 2	1	1	1	



8ACW300-L230

FIG. 23 TRACK SUSPENSION 1

REF. NO.	PART NO.	DESCRIPTION	EUR	RUS	JPN	REMARKS
1	8AC-47110-11	TRACK ASSY	1	1	1	
2	8HR-47113-09	.PLATE, REINFORCEMENT	82	82	82	
3	8HR-47115-09	.METAL, SLIDE	42	42	42	
4	8CM-47419-10	BRACKET 7	4	4	4	
5	90105-10769	BOLT, FLANGE	4	4	4	
6	90201-100L3	WASHER, PLATE	4	4	4	
7	90179-10670	NUT	4	4	4	
8	87M-47320-00	SUSPENSION WHEEL COMP.	4	4	4	
9	93306-00444	BEARING	4	4	4	
10	99009-42500	CIRCLIP	4	4	4	
11	95607-08200	NUT, SELF-LOCKING	4	4	4	
12	90101-08774	BOLT	4	4	4	
13	8AT-47486-00	SHAFT 4	1	1	1	
14	87M-47320-00	SUSPENSION WHEEL COMP.	2	2	2	
15	93306-00444	BEARING	2	2	2	
16	99009-42500	CIRCLIP	2	2	2	
17	99009-20400	CIRCLIP	2	2	2	
18	90201-100L3	WASHER, PLATE	4	4	4	
19	90105-10433	BOLT, FLANGE	2	2	2	
20	8AC-47320-00	SUSPENSION WHEEL COMP.	2	2	2	
21	93306-00444	BEARING	2	2	2	
22	99009-42500	CIRCLIP	2	2	2	
23	8AC-47550-00	GUIDE WHEEL ASSY	2	2	2	
24	83R-47520-10	REAR AXLE COMP.	1	1	1	
25	8U7-47320-00	SUSPENSION WHEEL COMP.	2	2	2	
26	93306-00444	BEARING	2	2	2	
27	99009-42500	CIRCLIP	2	2	2	



8ACW300-L230

FIG. 23 TRACK SUSPENSION 1

REF. NO.	PART NO.	DESCRIPTION	EUR	RUS	JPN	REMARKS
28	8K2-47530-00	GUIDE WHEEL COMP.	3	3	3	
29	93306-20469	BEARING	3	3	3	
30	99009-47500	CIRCLIP	3	3	3	
31	90387-200U9	COLLAR	2	2	2	
32	90387-205T6	COLLAR	2	2	2	
33	8DM-47479-00	COLLAR 3	2	2	2	
34	95707-10300	NUT, FLANGE	2	2	2	
35	90201-205R6	WASHER, PLATE	4	4	4	
36	95607-14200	NUT, SELF-LOCKING	1	1	1	
37	92907-10600	WASHER, PLATE	2	2	2	
38	8CM-47419-10	BRACKET 7	2	2	2	AP
39	90105-10029	BOLT, FLANGE	2	2	2	AP
40	90201-100L3	WASHER, PLATE	2	2	2	AP
41	90179-10670	NUT	2	2	2	AP
42	87M-47320-00	SUSPENSION WHEEL COMP.	2	2	2	AP
43	93306-00444	BEARING	2	2	2	AP
44	99009-42500	CIRCLIP	2	2	2	AP
45	95607-08200	NUT, SELF-LOCKING	2	2	2	AP
46	90101-08774	BOLT	2	2	2	AP

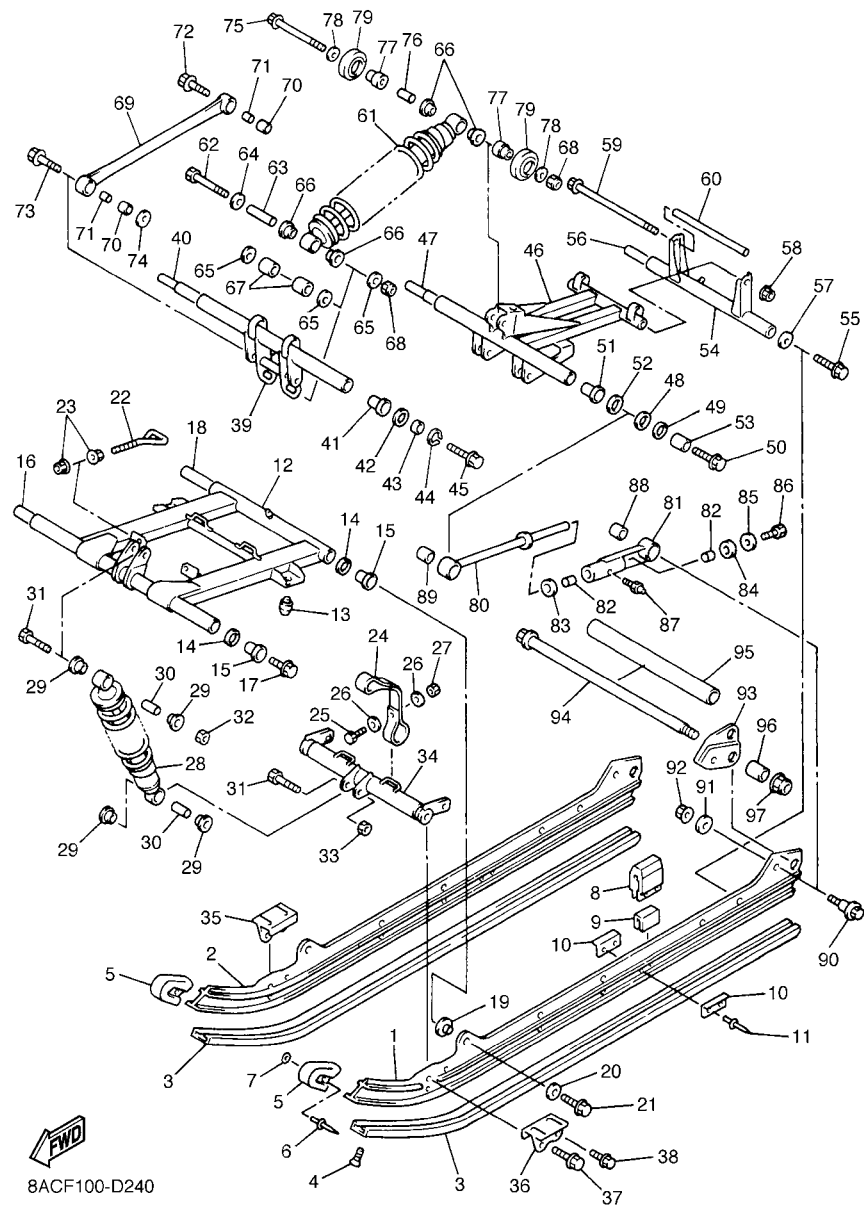


FIG. 24 TRACK SUSPENSION 2

REF. NO.	PART NO.	DESCRIPTION	EUR	RUS	JPN	REMARKS
1	8AC-47411-10	FRAME, SLIDING 1	1	1	1	
2	8AC-47414-10	FRAME, SLIDING 4	1	1	1	
3	8AC-47421-00	RUNNER, SLIDING 1	2	2	2	
4	90151-06010	SCREW, COUNTERSUNK	2	2	2	
5	8ED-47422-00	RUNNER, SLIDING 2	2	2	2	
6	90267-48194	RIVET, BLIND (4.8X28 SILVER)	2	2	2	
7	90201-047R8	WASHER, PLATE	2	2	2	
8	8AC-47457-00	DAMPER 2	2	2	2	
9	8AC-47341-00	SPACER	2	2	2	
10	8AX-47458-00	PLATE, DAMPER	4	4	4	
11	90267-48199	RIVET, BLIND (4.8X28.3)	4	4	4	
12	8AC-47331-00	ARM, PIVOT 1	1	1	1	
13	83M-21488-00	DAMPER	2	2	2	
14	90201-210U0	WASHER, PLATE	4	4	4	
15	90381-19111	BUSH, SOLID	4	4	4	
16	8AC-47465-00	SHAFT 1	1	1	1	
17	90105-103A1	BOLT, FLANGE	2	2	2	
18	83R-47485-02	SHAFT 3	1	1	1	
19	90387-105G6	COLLAR	2	2	2	
20	90201-100L3	WASHER, PLATE	2	2	2	
21	90105-10433	BOLT, FLANGE	2	2	2	
22	8CR-47448-00	HOOK 3	2	2	2	
23	95707-08500	NUT, FLANGE	4	4	4	
24	8CV-47495-00	STOPPER 1	2	2	2	
25	97007-06025	BOLT	4	4	4	
26	90201-06747	WASHER, PLATE	8	8	8	
27	95707-06300	NUT, NYLON	4	4	4	

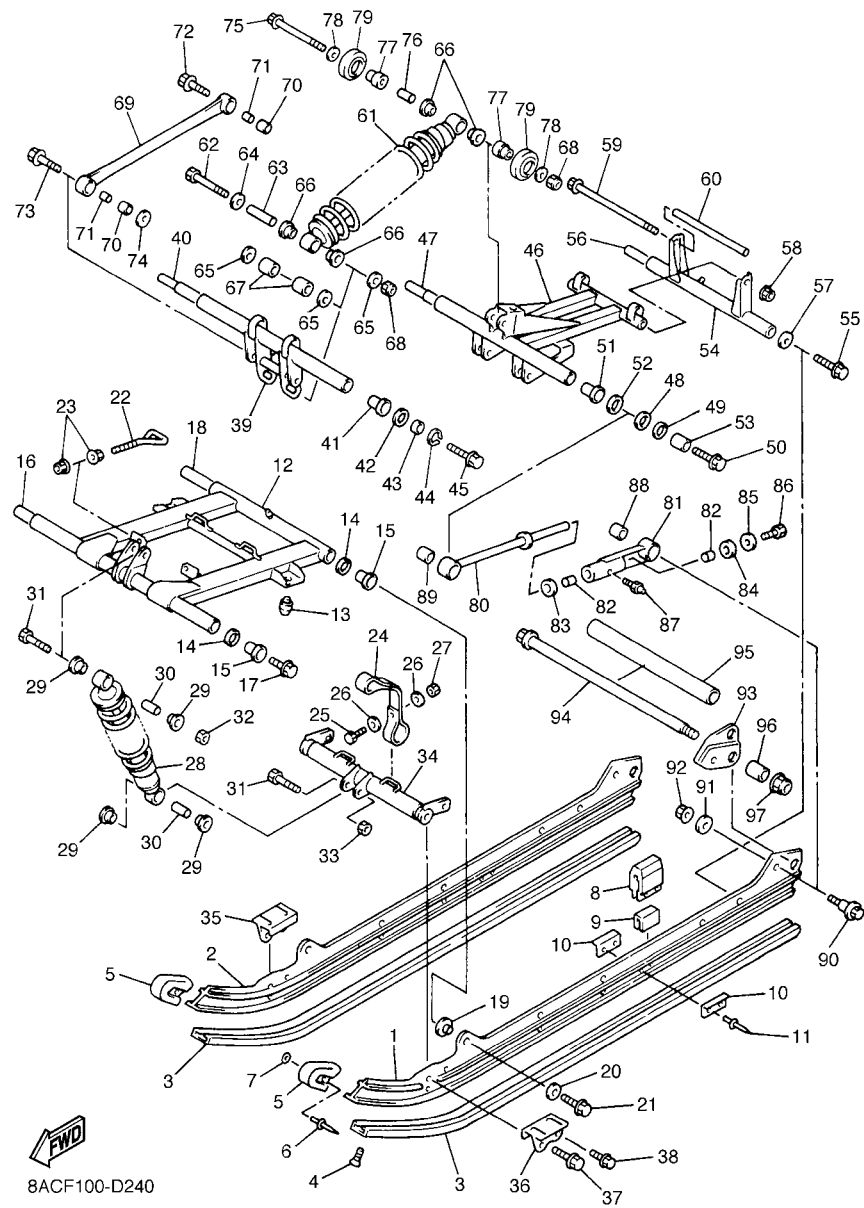
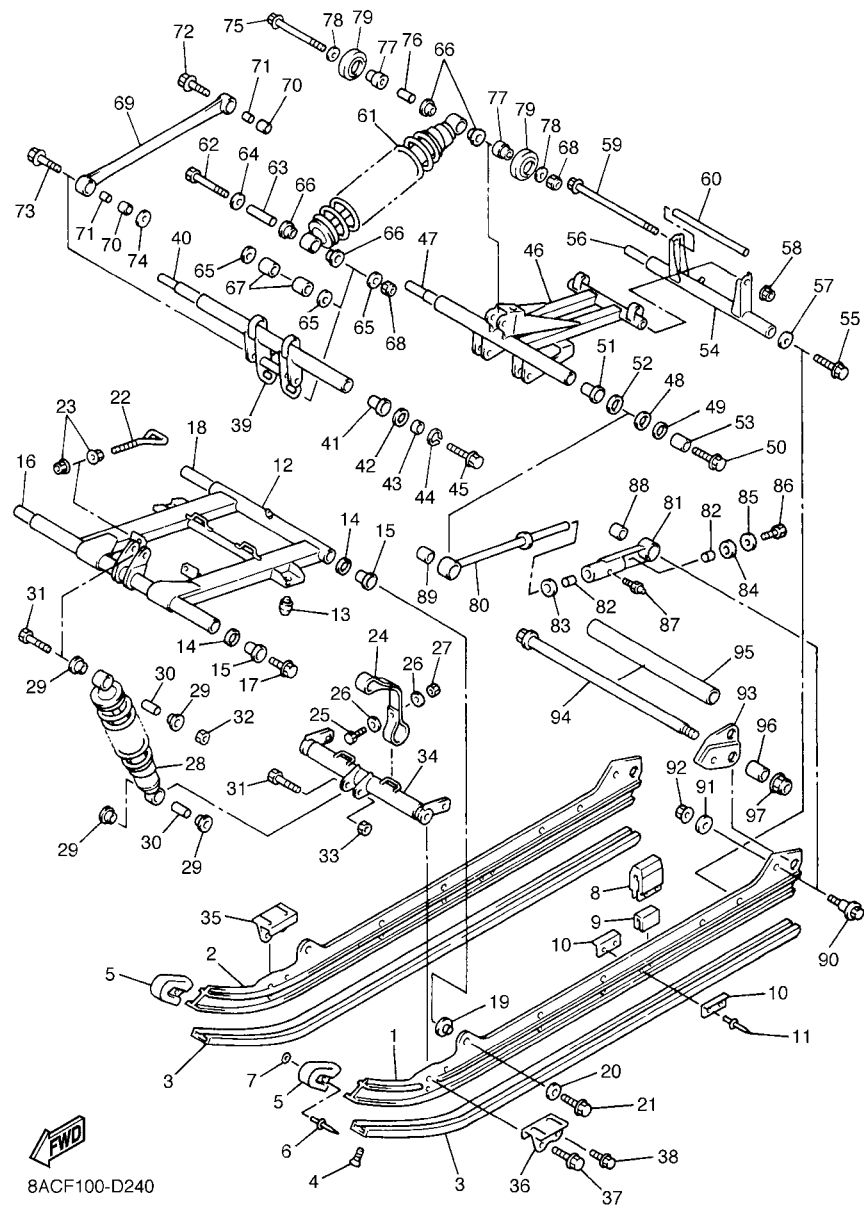


FIG. 24 TRACK SUSPENSION 2

REF. NO.	PART NO.	DESCRIPTION	EUR	RUS	JPN	REMARKS
28	8AC-47481-00	SHOCK ABSORBER 2	1	1	1	
29	90381-14101	BUSH, SOLID	4	4	4	
30	90387-105G5	COLLAR	2	2	2	
31	90101-10738	BOLT	2	2	2	
32	90185-10110	NUT, SELF-LOCKING	1	1	1	
33	95607-10100	NUT, U	1	1	1	
34	8AC-47418-00	BRACKET 4	1	1	1	
35	8DF-47463-01	BRACKET 5	1	1	1	
36	8DF-47464-01	BRACKET 6	1	1	1	
37	90105-10433	BOLT, FLANGE	2	2	2	
38	90105-08450	BOLT, FLANGE	2	2	2	
39	8AC-47416-01	BRACKET 2	1	1	1	
40	8AC-47488-10	SHAFT 6	1	1	1	
41	90381-22099	BUSH, SOLID	2	2	2	
42	90201-207J5	WASHER, PLATE	2	2	2	
43	90387-2004V	COLLAR	2	2	2	
44	99009-20400	CIRCLIP	2	2	2	
45	90105-103A1	BOLT, FLANGE	2	2	2	
46	8AC-47332-00	ARM, PIVOT 2	1	1	1	
47	8AC-47475-00	SHAFT 2	1	1	1	
48	90201-266L1	WASHER, PLATE	2	2	2	
49	90201-250T6	WASHER, PLATE	2	2	2	
50	90105-10433	BOLT, FLANGE	2	2	2	
51	90381-28108	BUSH, SOLID	2	2	2	
52	90201-286K9	WASHER, PLATE (T1.0)	2	2	2	
53	90387-2515E	COLLAR	2	2	2	
54	8AC-47417-00	BRACKET 3	1	1	1	



8ACF100-D240

FIG. 24 TRACK SUSPENSION 2

REF. NO.	PART NO.	DESCRIPTION	EUR	RUS	JPN	REMARKS
55	90105-10433	BOLT, FLANGE	2	2	2	
56	83R-47485-02	SHAFT 3	1	1	1	
57	90201-10136	WASHER, PLATE	2	2	2	
58	95607-08200	NUT, SELF-LOCKING	1	1	1	
59	95827-08220	BOLT, FLANGE	1	1	1	
60	90387-083G6	COLLAR	1	1	1	
61	8AC-47480-40	SHOCK ABSORBER	1	1		
	8AC-47480-50	SHOCK ABSORBER			1	
62	8AC-4631K-00	BOLT, ADJUSTING	1	1	1	
63	90387-1009S	COLLAR	1	1	1	
64	90201-103U4	WASHER, PLATE	1	1	1	
65	90201-100U1	WASHER, PLATE	3	3	3	
66	90381-14101	BUSH, SOLID	4	4	4	
67	90387-1404R	COLLAR	2	2	2	
68	95607-10100	NUT, U	2	2	2	
69	8CR-47494-01	ROD, RELAY	2	2	2	
70	90381-14109	BUSH, SOLID	4	4	4	
71	90387-100X3	COLLAR	4	4	4	
72	90105-10739	BOLT, FLANGE	2	2	2	
73	90105-10436	BOLT, FLANGE	2	2	2	
74	90201-100U1	WASHER, PLATE	2	2	2	
75	90105-10105	BOLT, FLANGE	1	1	1	
76	90387-105G5	COLLAR	1	1	1	
77	8AC-47366-00	COLLAR 2	2	2	2	
78	90201-10136	WASHER, PLATE	2	2	2	
79	8AC-47310-10	SUSPENSION WHEEL ASSY	2	2	2	
80	8AC-4745A-10	ROD, CONTROL 1	2	2	2	

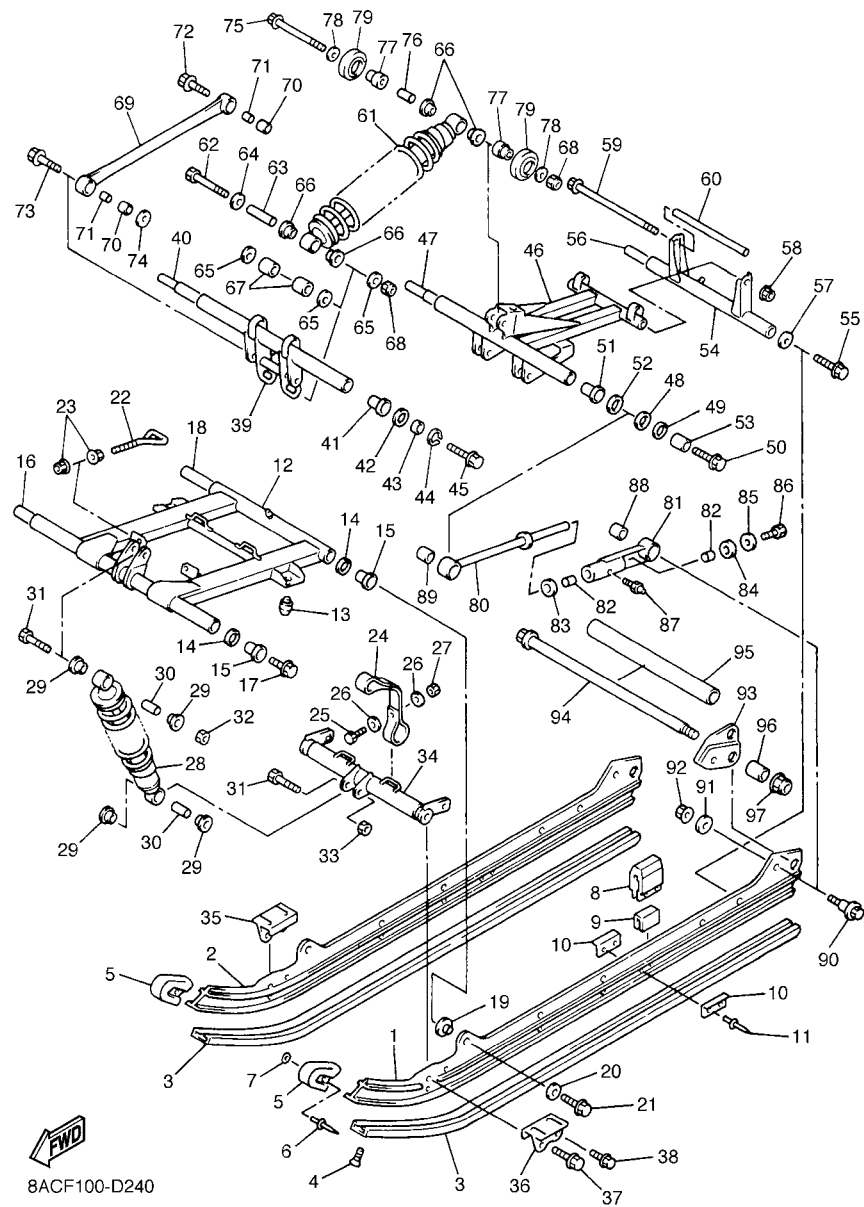
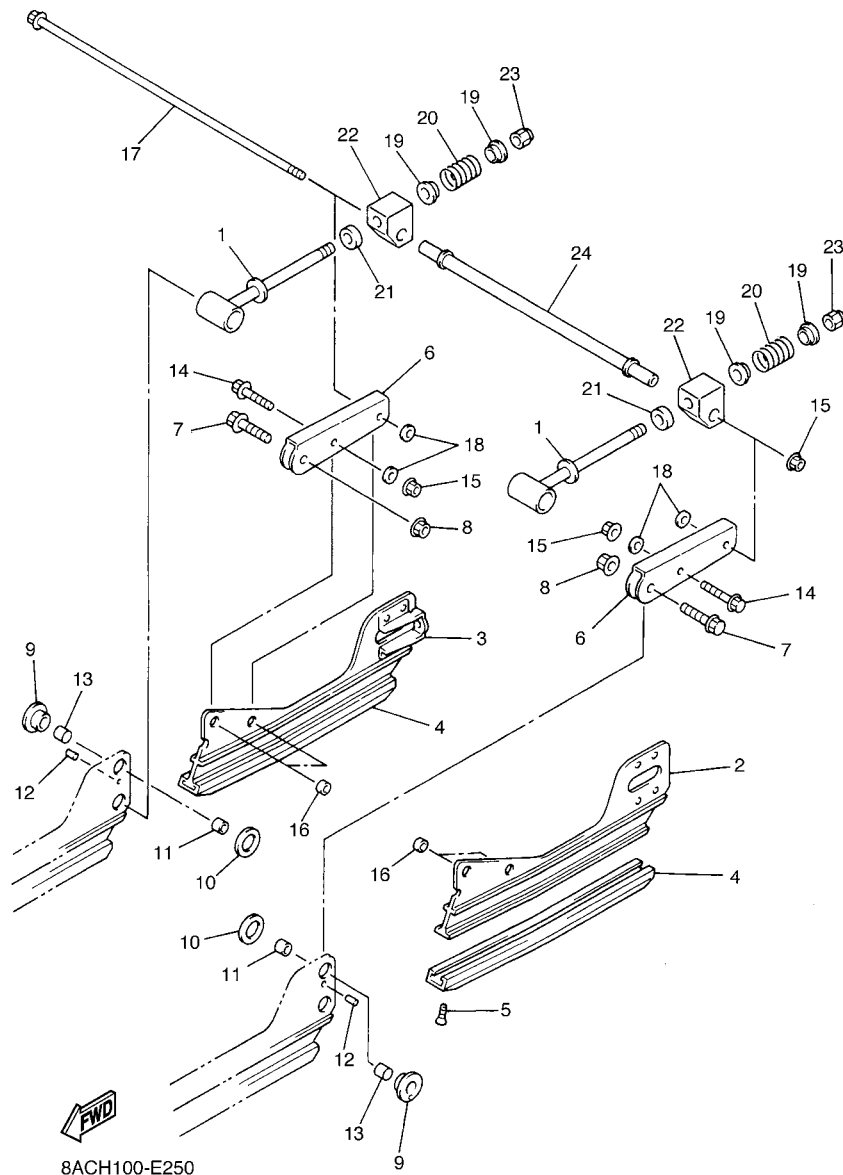


FIG. 24 TRACK SUSPENSION 2

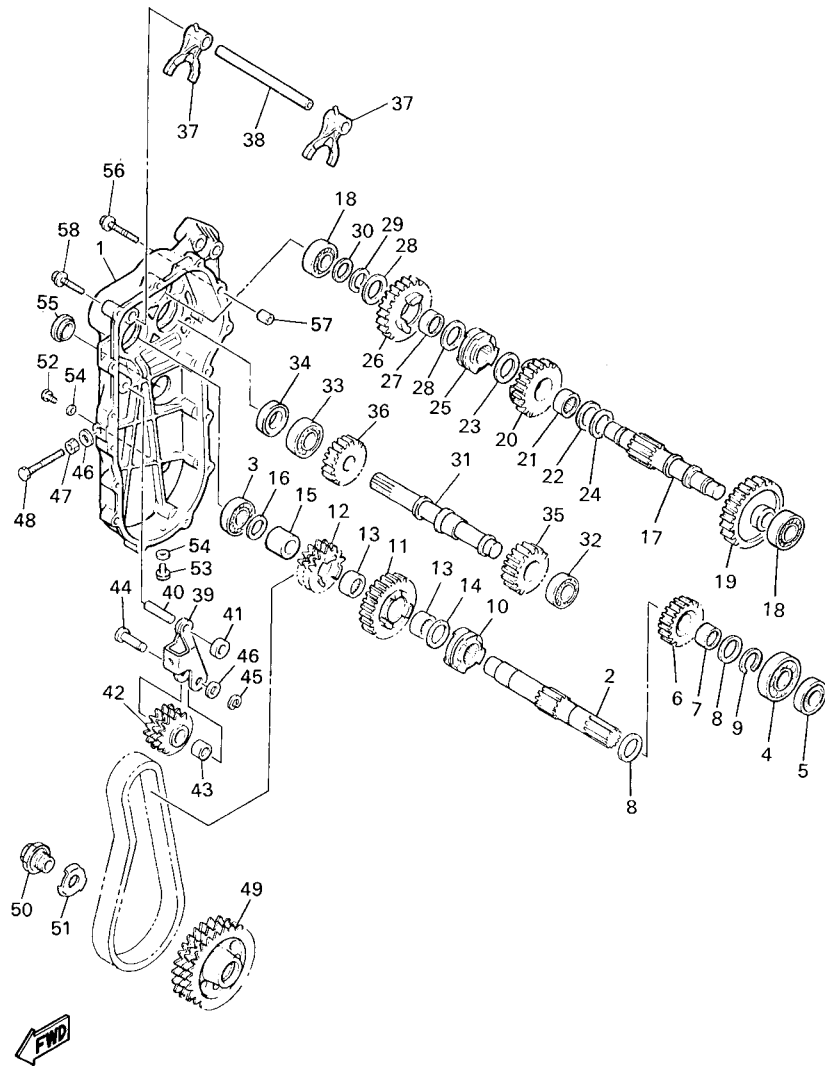
REF. NO.	PART NO.	DESCRIPTION	EUR	RUS	JPN	REMARKS
81	8CR-4745B-00	ROD, CONTROL 2	2	2	2	
82	90384-16251	BUSH, BIMETAL FORMED	4	4	4	
83	90202-16231	WASHER, PLATE	2	2	2	
84	90202-16232	WASHER, PLATE	2	2	2	
85	90201-106F2	WASHER, PLATE	2	2	2	
86	97027-10025	BOLT, HEXAGON	2	2	2	
87	93700-06004	NIPPLE, GREASE	2	2	2	
88	90380-22232	BUSH, SOLID	2	2	2	
89	90380-28235	BUSH, SOLID	2	2	2	
90	8DF-47367-00	SCREW, REAR PIVOT	2	2	2	
91	90201-101U2	WASHER, PLATE	2	2	2	
92	95607-10200	NUT, U FLANGE	2	2	2	
93	8AC-47349-00	BRACKET, ARM PIVOT	2	2	2	
94	83R-47520-10	REAR AXLE COMP.	1	1	1	
95	83R-47469-00	COLLAR 1	1	1	1	
96	90387-203H0	COLLAR	2	2	2	
97	95607-14200	NUT, SELF-LOCKING	1	1	1	



8ACH100-E250

FIG. 25 TRACK SUSPENSION 3

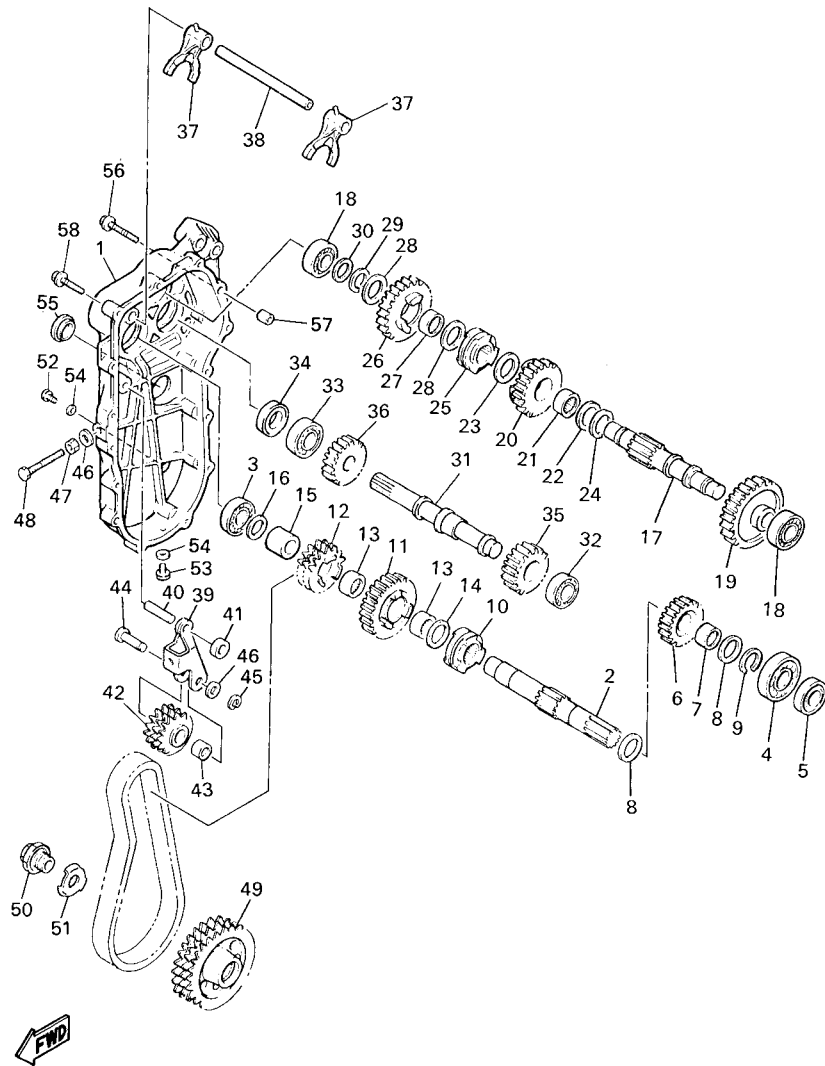
REF. NO.	PART NO.	DESCRIPTION	EUR	RUS	JPN	REMARKS
1	83R-47337-00	SHAFT, PIVOT	2	2	2	
2	8FM-W4741-10	FRAME, SLIDING	1	1	1	
3	8FM-W4741-10	FRAME, SLIDING	1	1	1	
4	8AC-47424-00	RUNNER, SLIDING 4	2	2	2	
5	90151-06010	SCREW, COUNTERSUNK	2	2	2	
6	8FM-47333-00	ARM, PIVOT 3	2	2	2	
7	95817-10030	BOLT, FLANGE	2	2	2	
8	90185-10115	NUT, SELF-LOCKING	2	2	2	
9	90387-1815A	COLLAR	2	2	2	
10	90202-22238	WASHER, PLATE	2	2	2	
11	90387-1014Y	COLLAR	2	2	2	
12	91609-30008	PIN, SPRING	2	2	2	
13	90380-16109	BUSH, SOLID	2	2	2	
14	95817-08035	BOLT, FLANGE	2	2	2	
15	95607-08200	NUT, SELF-LOCKING	3	3	3	
16	90387-082J1	COLLAR	4	4	4	
17	90105-08483	BOLT, FLANGE	1	1	1	
18	90201-08649	WASHER, PLATE	4	4	4	
19	83R-23768-00	SEAT, SPRING 1	4	4	4	
20	90501-407E4	SPRING, COMPRESSION	2	2	2	
21	83R-47335-00	SPRING	2	2	2	
22	83R-47446-00	HOOK 1	2	2	2	
23	95707-12300	NUT, FLANGE	2	2	2	
24	8AC-47478-00	COLLAR 2	1	1	1	



8AC6100-9270

FIG. 27 TRACK DRIVE 2

REF. NO.	PART NO.	DESCRIPTION	EUR	RUS	JPN	REMARKS
1	83R-47543-00	CAP, HOUSING	1	1	1	
2	85R-17421-00	AXLE, DRIVE	1	1	1	
3	93306-20402	BEARING	1	1	1	
4	93306-37206	BEARING	1	1	1	
5	93102-22014	OIL SEAL	1	1	1	
6	83R-17121-00	GEAR, 2ND PINION (22T)	1	1	1	
7	93311-42265	BEARING	1	1	1	
8	90201-224L4	WASHER, PLATE	2	2	2	
9	99009-22400	CIRCLIP	1	1	1	
10	83R-17492-10	DOG, TRANSMISSION SHIFT	1	1	1	
11	8AT-17131-00	GEAR, 3RD PINION (28T)	1	1	1	
12	83R-17682-00	SPROCKET, CHAIN DRIVE (17T)	1	1	1	
13	93317-32241	BEARING	2	2	2	
14	90201-224L4	WASHER, PLATE	1	1	1	
15	90387-226V7	COLLAR	1	1	1	
16	90201-20792	WASHER, PLATE	1	1	1	
17	83R-17431-00	AXLE, COUNTER	1	1	1	
18	93306-20321	BEARING	2	2	2	
19	8AT-17141-00	GEAR, 4TH PINION (28T)	1	1	1	
20	83R-17151-00	GEAR, 5TH PINION (22T)	1	1	1	
21	93317-32241	BEARING	1	1	1	
22	90201-224L4	WASHER, PLATE	1	1	1	
23	90201-225L2	WASHER, PLATE	1	1	1	
24	99009-22400	CIRCLIP	1	1	1	
25	83R-17492-10	DOG, TRANSMISSION SHIFT	1	1	1	
26	83R-17143-00	GEAR, REVERSE PINION 1 (27T)	1	1	1	
27	93317-22021	BEARING	1	1	1	

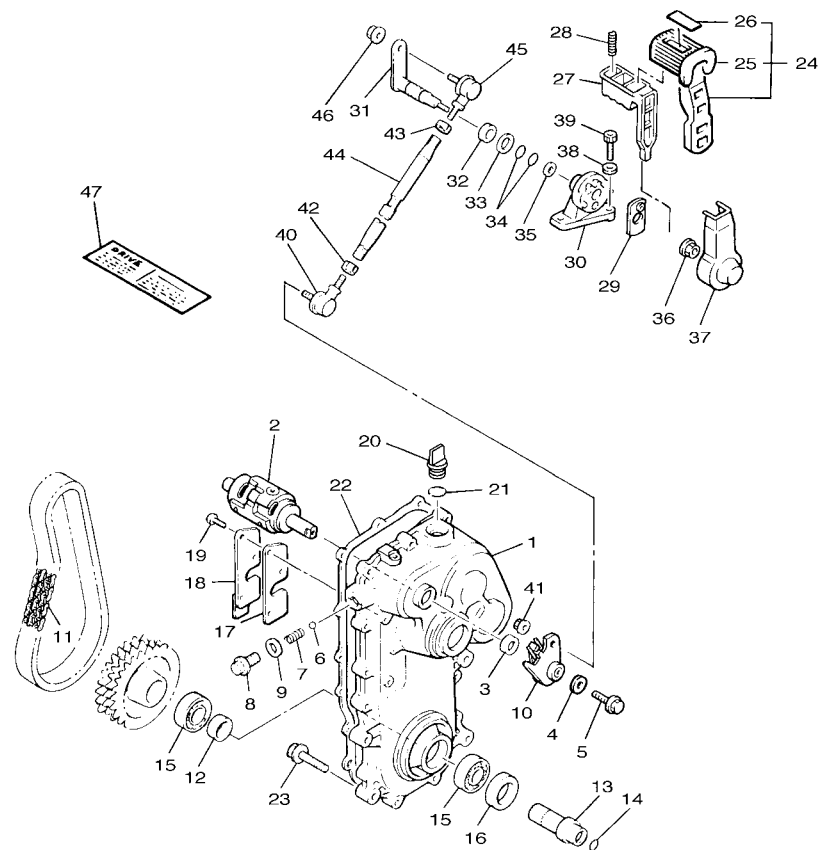


8AC6100-9270

FIG. 27 TRACK DRIVE 2

REF. NO.	PART NO.	DESCRIPTION	EUR	RUS	JPN	REMARKS
28	90201-20792	WASHER, PLATE	2	2	2	
29	99009-20400	CIRCLIP	1	1	1	
30	90201-171J5	WASHER, PLAIN	1	1	1	
31	83R-17432-01	AXLE, IDLE	1	1	1	
32	93306-20321	BEARING	1	1	1	
33	93306-20402	BEARING	1	1	1	
34	93102-20010	OIL SEAL	1	1	1	
35	83R-17243-00	GEAR, REVERSE WHEEL 1 (19T)	1	1	1	
36	83R-17153-00	GEAR, REVERSE PINION 2 (20T)	1	1	1	
37	83R-18511-00	FORK, SHIFT 1	2	2	2	
38	83R-18531-00	BAR, SHIFT FORK GUIDE 1	1	1	1	
39	83R-47613-00	HOLDER	1	1	1	
40	93612-44229	PIN, DOWEL	1	1	1	
41	90387-121E8	COLLAR	1	1	1	
42	83R-47612-00	WHEEL	1	1	1	
43	93315-21227	BEARING	1	1	1	
44	90249-12216	PIN	1	1	1	
45	99009-12400	CIRCLIP	1	1	1	
46	90210-10004	WASHER, SEAL	1	1	1	
47	95307-10700	NUT	1	1	1	
48	90101-10357	BOLT	1	1	1	
49	83R-47548-00	SPROCKET, CHAIN DRIVEN (22T)	1	1	1	
50	90105-27484	BOLT, FLANGE	1	1	1	
51	90215-39268	WASHER, LOCK	1	1	1	
52	97007-06010	BOLT	1	1	1	
53	98907-06008	SCREW, BIND	1	1	1	
54	90430-06016	GASKET	2	2	2	

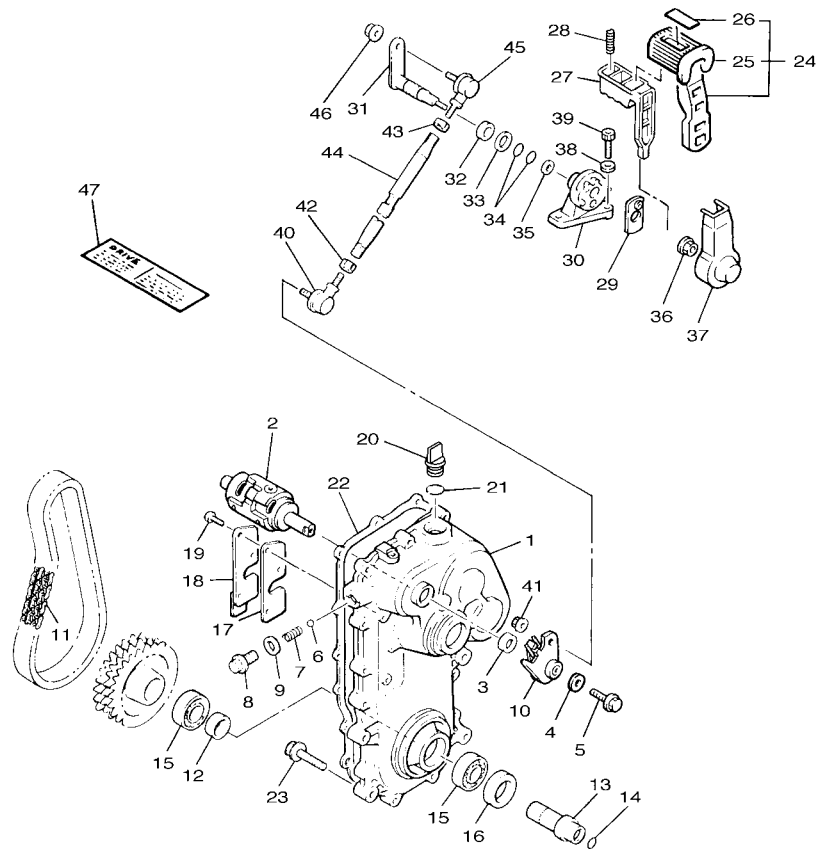
FIG. 28 TRACK DRIVE 3



8ACT100-K290

REF. NO.	PART NO.	DESCRIPTION	EUR	RUS	JPN	REMARKS
1	87R-47541-00	HOUSING, CHAIN	1	1	1	
2	89N-18540-00	SHIFT CAM ASSY	1	1	1	
3	93102-15212	OIL SEAL	1	1	1	
4	90201-06072	WASHER, PLATE	1	1	1	
5	90105-06405	BOLT, FLANGE	1	1	1	
6	93503-08007	BALL	1	1	1	
7	90501-147A6	SPRING, COMPRESSION	1	1	1	
8	90105-14367	BOLT, FLANGE	1	1	1	
9	90430-14194	GASKET	1	1	1	
10	89N-18130-01	SHIFT SHAFT ASSY	1	1	1	
11	94880-06070	CHAIN (DID35P-3)	1	1	1	
12	90387-405T8	COLLAR	1	1	1	
13	83R-47571-00	JOURNAL 1	1	1	1	
14	93210-28763	O-RING	1	1	1	
15	93306-90802	BEARING	2	2	2	
16	93102-46394	OIL SEAL	1	1	1	
17	85R-47544-01	GASKET	1	1	1	
18	88N-47591-00	PLATE	1	1	1	
19	90154-06050	SCREW, BINDING	3	3	3	
20	3Y1-15363-10	PLUG, OIL	1	1	1	
21	93210-19123	O-RING	1	1	1	
22	85R-47592-00	GASKET	1	1	1	
23	95827-08040	BOLT, FLANGE	4	4	4	
24	83R-18150-00	SHIFT LEVER ASSY	1	1	1	
25	52G-18113-00	.COVER, SHIFT PEDAL	1	1	1	
26	83R-1815A-00	.LABEL	1	1	1	
27	59V-18174-00	KNOB, SHIFT LEVER	1	1	1	

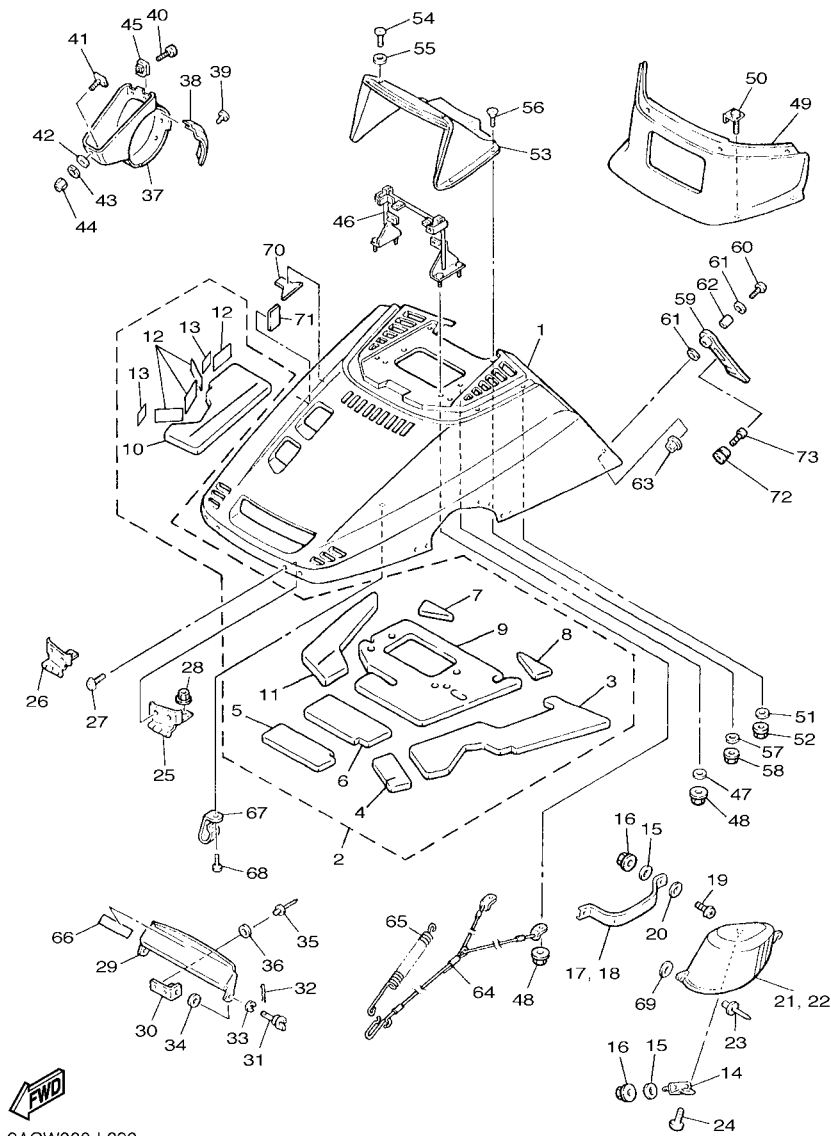
FIG. 28 TRACK DRIVE 3



REF. NO.	PART NO.	DESCRIPTION	EUR	RUS	JPN	REMARKS
28	90501-101A7	SPRING, COMPRESSION	1	1	1	
29	59V-18561-00	PLATE, SIDE 1	1	1	1	
30	83R-18153-00	GUIDE, SHIFT RETURN SPRING	1	1	1	
31	83R-18341-00	SHAFT, RINK	1	1	1	
32	90387-145T7	COLLAR	1	1	1	
33	90201-144J2	WASHER, PLATE	1	1	1	
34	93210-10010	O-RING	2	2	2	
35	90201-064J1	WASHER, PLATE	1	1	1	
36	95707-06500	NUT, FLANGE	1	1	1	
37	59V-18433-00	COVER, SHIFT SPRING	1	1	1	
38	92907-06600	WASHER, PLATE	3	3	3	
39	91317-06025	BOLT	3	3	3	
40	3X3-18157-10	JOINT 2	1	1	1	
41	95707-06500	NUT, FLANGE	1	1	1	
42	95317-08600	NUT	1	1	1	
43	90170-08261	NUT	1	1	1	
44	83R-18116-00	JOINT, ROD 1	1	1	1	
45	3X3-18156-10	JOINT 1	1	1	1	
46	95707-06500	NUT, FLANGE	1	1	1	
47	8AT-47578-00	LABEL 1	1	1		



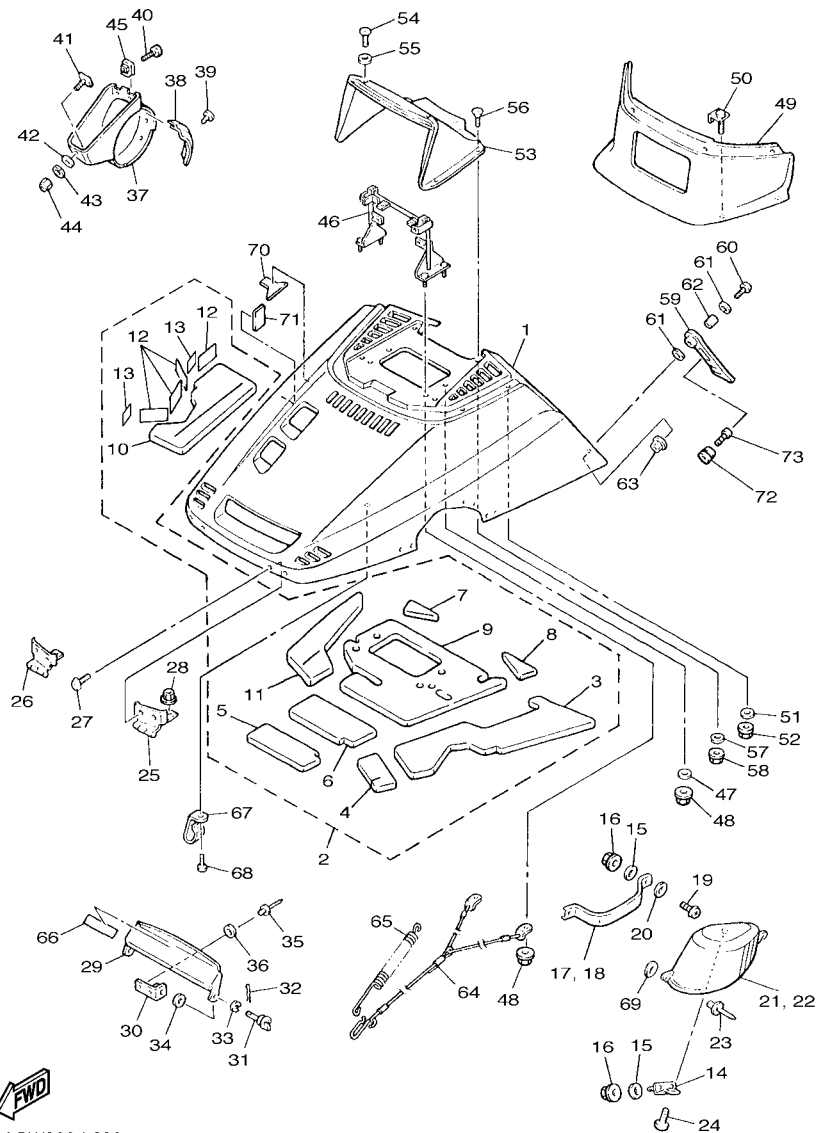
8ACT100-K290



8ACW300-L290

FIG. 29 SHROUD

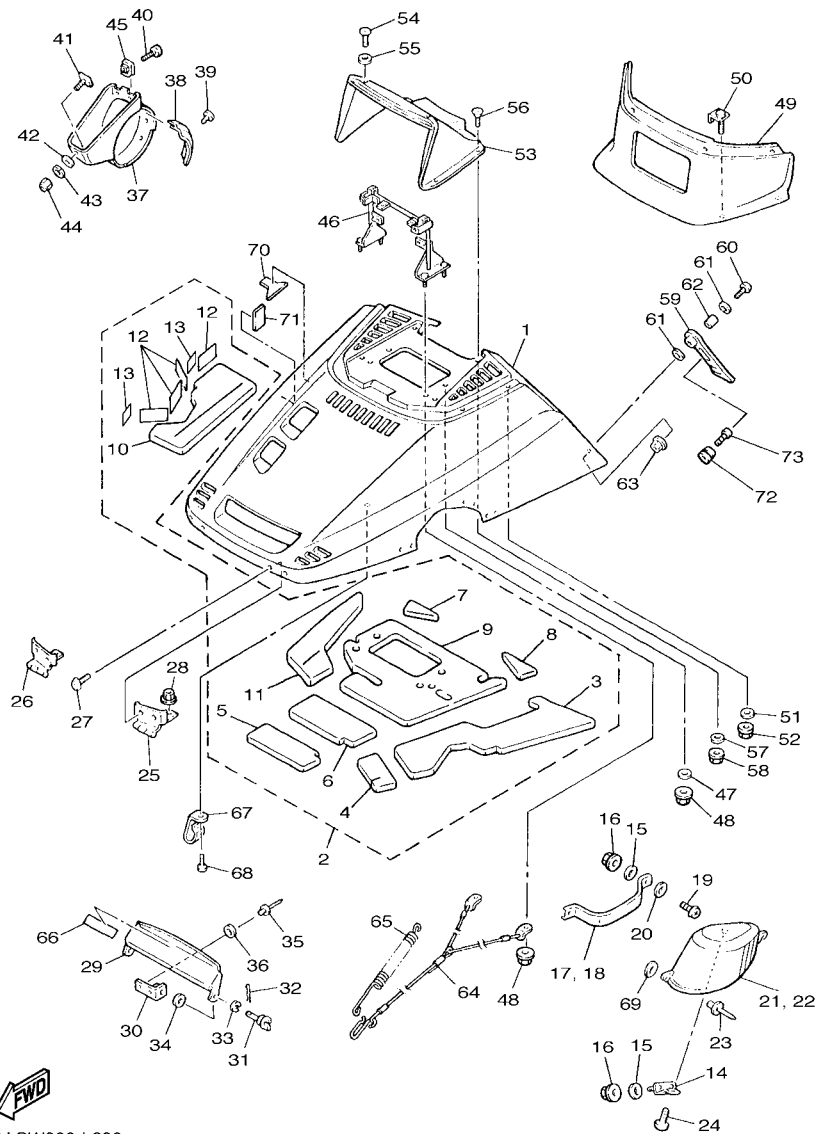
REF. NO.	PART NO.	DESCRIPTION	EUR	RUS	JPN	REMARKS
1	8AC-77111-40	SHROUD	1	1	1	UR FOR SMX
	8AC-77111-50	SHROUD	1	1	1	UR FOR BWC1
2	8AT-W7726-01	LINING SET	1	1	1	
3	8AT-77261-00	.LINING, SHROUD 1	1	1	1	
4	8AT-77262-00	.LINING, SHROUD 2	1	1	1	
5	8AT-77263-00	.LINING, SHROUD 3	1	1	1	
6	8AT-77264-00	.LINING, SHROUD 4	1	1	1	
7	8AT-77265-00	.LINING, SHROUD 5	1	1	1	
8	8AT-77266-00	.LINING, SHROUD 6	1	1	1	
9	8AT-77267-00	.LINING, SHROUD 7	1	1	1	
10	8AT-77268-00	.LINING,SHROUD 8	1	1	1	
11	8AT-77269-00	.LINING,SHROUD 9	1	1	1	
12	82M-7717G-01	.TAPE 3	4	4	4	
13	8V0-7717H-01	.TAPE 4	2	2	2	
14	8AT-77125-00	STAY 1	2	2	2	
15	92907-06200	WASHER	8	8	8	
16	95707-06300	NUT, NYLON	8	8	8	
17	8AT-77153-00	PLATE, BACK UP 1	1	1	1	
18	8AT-77154-00	PLATE, BACK UP 2	1	1	1	
19	98507-06020	SCREW, PAN HEAD	4	4	4	
20	92907-06600	WASHER, PLATE	4	4	4	
21	8AT-77121-00	HOOD 3 (L.H)	1	1	1	
22	8AT-77122-00	HOOD 4 (R.H)	1	1	1	
23	90267-48018	RIVET, BLIND (4.8X18.6 BLACK)	4	4	4	
24	97707-50016	SCREW, TRUSS HEAD TAPPING	2	2	2	
25	83R-77140-00	HINGE ASSY	1	1	1	
26	83R-7714A-00	HINGE ASSY 2	1	1	1	



8ACW300-L290

FIG. 29 SHROUD

REF. NO.	PART NO.	DESCRIPTION	EUR	RUS	JPN	REMARKS
27	98904-06016	SCREW, BIND	4	4	4	
28	95707-06300	NUT, NYLON	4	4	4	
29	83R-77185-00	PLATE 1	1	1	1	
30	83R-77125-00	STAY 1	2	2	2	
31	90122-05022	BOLT, WING	2	2	2	
32	90468-10003	CLIP	2	2	2	
33	92907-05100	WASHER, SPRING	2	2	2	
34	90202-05088	WASHER, PLATE	2	2	2	
35	90267-48079	RIVET, BLIND (4.8X16.1)	4	4	4	
36	90201-043H7	WASHER, PLATE	4	4	4	
37	83R-77194-00	DUCT	1	1	1	
38	83R-77515-00	BUSH, RUBBER 1	1	1	1	
39	90269-05039	RIVET	3	3	3	
40	98907-06014	SCREW, BIND	2	2	2	
41	83R-77186-00	PLATE 2	1	1	1	
42	90201-06557	WASHER, PLATE	1	1	1	
43	92907-06100	WASHER, SPRING	1	1	1	
44	95307-06600	NUT	1	1	1	
45	83R-77144-00	NUT	2	2	2	
46	83R-77241-00	SRAY,FAIRING	1	1	1	
47	90201-06557	WASHER, PLATE	3	3	3	
48	95707-06300	NUT, NYLON	4	4	4	
49	8AC-77231-40	FAIRING	1	1	1	UR FOR SMX
	8AC-77231-50	FAIRING	1	1	1	UR FOR BWC1
50	83R-77212-00	BOLT, WIND SHIELD	4	4	4	
51	90201-06557	WASHER, PLATE	2	2	2	
52	95707-06300	NUT, NYLON	4	4	4	



8ACW300-L290

FIG. 29 SHROUD

REF. NO.	PART NO.	DESCRIPTION	EUR	RUS	JPN	REMARKS
53	86V-77251-01	COVER, HEADLIGHT	1	1		
	87R-77251-01	COVER, HEADLIGHT			1	
54	98907-05012	SCREW, BIND	2	2	2	
55	90201-06042	WASHER, PLATE	2	2	2	
56	98707-05016	SCREW, FLAT HEAD	4	4	4	
57	90201-05029	WASHER, PLATE	4	4	4	
58	95707-05300	NUT, FLANGE	4	4	4	
59	8V0-77171-00	BODY, LATCH 1	2	2	2	
60	98907-06025	SCREW, BIND	2	2	2	
61	90201-06557	WASHER, PLATE	4	4	4	
62	90387-06241	COLLAR	2	2	2	
63	95707-06500	NUT, FLANGE	2	2	2	
64	83R-77118-01	STOPPER, SHROUD	1	1	1	
65	838-77159-00	CLAMP, ROD	1	1	1	
66	8AC-2815P-S0	LABEL, NOTICE 1	1	1		
	8AC-2815P-J0	LABEL, NOTICE 1			1	
67	90461-08113	CLAMP	3	3	3	
68	97707-50014	SCREW, TRUSS HEAD TAPPING	2	2	2	
69	90201-043H7	WASHER, PLATE	4	4	4	
70	8AT-2199H-00	SHIELD, HEAT	1	1	1	
71	8AT-77196-00	DAMPNER, SHROUD	1	1	1	
72	8M6-77175-00	HOLDER, LATCH	2	2	2	
73	98907-06035	SCREW, BIND	2	2	2	

FIG. 33 BUMPER

REF. NO.	PART NO.	DESCRIPTION	EUR	RUS	JPN	REMARKS
1	8AT-77511-01	BUMPER, FRONT 1	1	1	1	
2	8AT-77512-01	BUMPER, FRONT 2	1	1	1	
3	8AT-77516-00	BUSH, RUBBER 2	2	2	2	
4	8AT-77529-00	SPACER, BUMPER	1	1	1	
5	90105-08408	BOLT, FLANGE	8	8	8	
6	8AT-77552-00	PROTECTOR 2	1	1	1	
7	8AT-77551-01	PROTECTOR 1	1	1	1	
8	8AT-77553-00	PROTECTOR 3	1	1	1	
9	90149-08230	SCREW	11	11	11	
10	92907-08200	WASHER	3	3	3	
11	95307-08600	NUT	3	3	3	
12	8AT-77521-00	STOPPER 1 (L.H)	1	1	1	
13	8AT-77522-00	STOPPER 2 (R.H)	1	1	1	
14	90267-48018	RIVET, BLIND (4.8X18.6 BLACK)	4	4	4	
15	90267-48149	RIVET, BLIND (4.8X23.2)	2	2	2	
16	8AT-77523-00	END, BUMPER 1 (R.H)	1	1	1	
17	8AT-77524-00	END, BUMPER 2 (L.H)	1	1	1	
18	8AC-77540-00	REAR BUMPER COMP.	1	1	1	
19	95827-08014	BOLT, FLANGE	4	4	4	
20	92907-08200	WASHER	4	4	4	
21	92907-08100	WASHER, SPRING	4	4	4	
22	95307-08800	NUT	4	4	4	
23	95827-08020	BOLT, FLANGE	6	6	6	
24	84R-77592-00	BRACKET, HITCH 2	1		1	
	86D-77591-00	BRACKET, HITCH 1			1	
25	95827-08020	BOLT, FLANGE	4	4	4	
26	8U1-77157-00	PIN, HINGE			1	

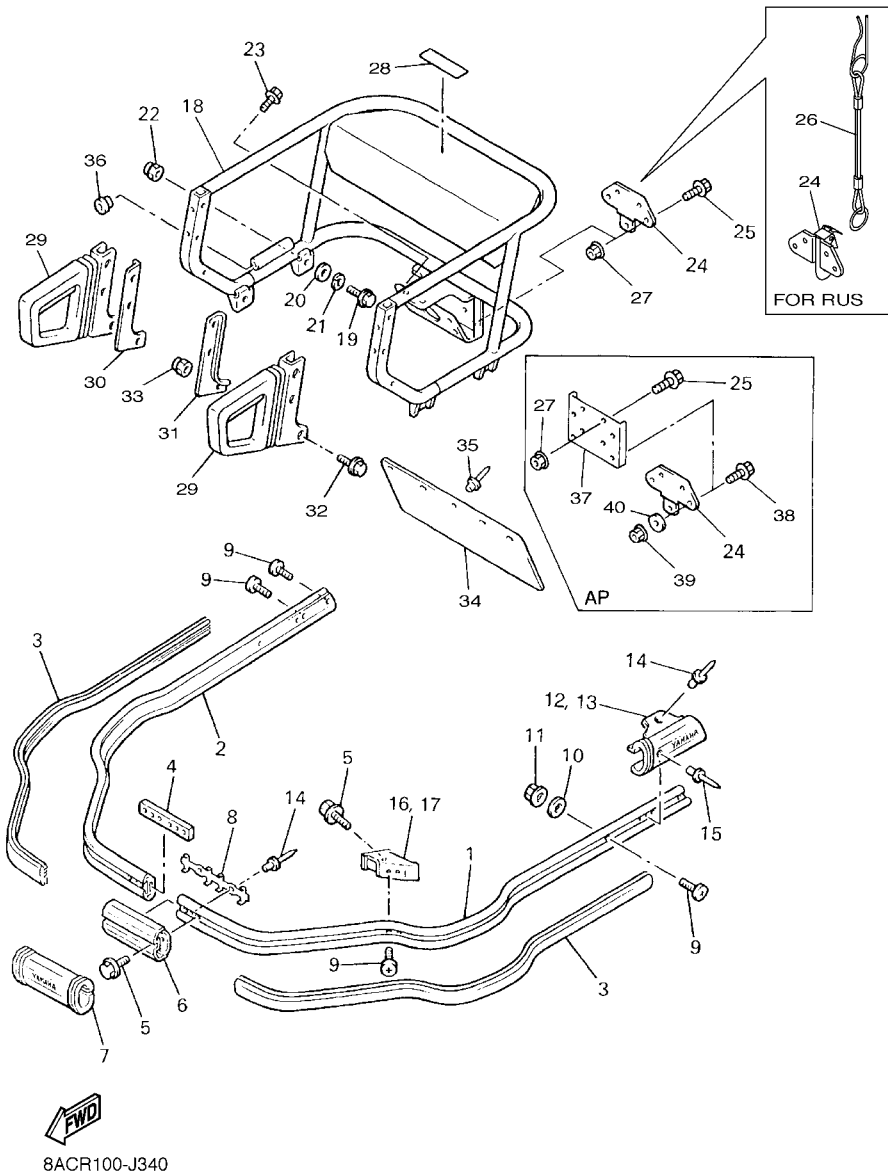
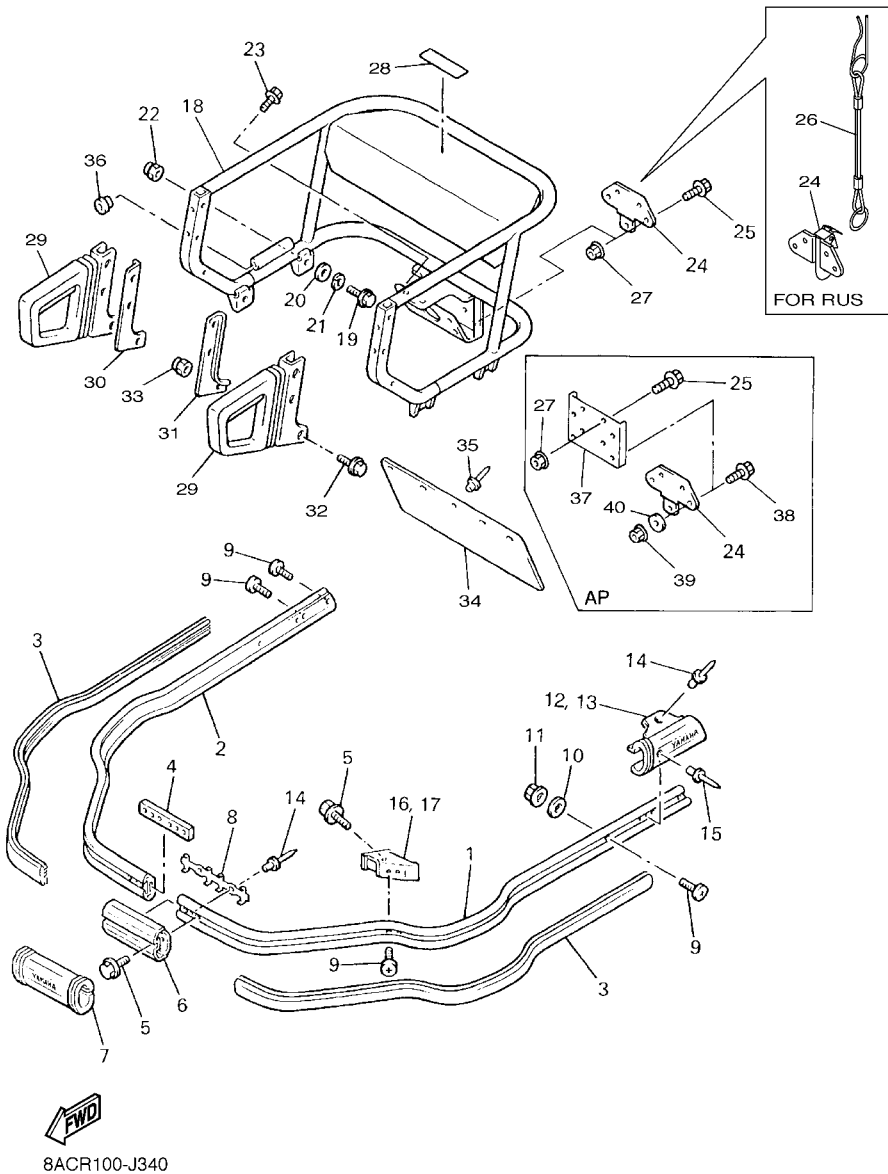


FIG. 33 BUMPER

REF. NO.	PART NO.	DESCRIPTION	EUR	RUS	JPN	REMARKS
27	95607-08200	NUT, SELF-LOCKING	4	4	4	
28	8FM-24897-11	EMBLEM	1	1		
	4KN-24877-C0	LABEL, CAUTION			1	
29	8X0-77571-00	GRIP, ASSIST 1	2	2	2	
30	8X0-77525-00	WASHER 1	1	1	1	
31	8X0-77526-00	WASHER 2	1	1	1	
32	95807-08040	BOLT, FLANGE	6	6	6	
33	90176-08063	NUT, CROWN	6	6	6	
34	83R-77595-00	FLAP	1	1	1	
35	90267-48086	RIVET, BLIND (4.8X19 BLACK)	5	5	5	
36	90480-15268	GROMMET	2	2	2	
37	80M-77591-00	BRACKET, HITCH 1			1	AP
38	95827-08025	BOLT, FLANGE			4	AP
39	95717-08300	NUT, FLANGE			4	AP
40	92907-08600	WASHER, PLATE			4	AP



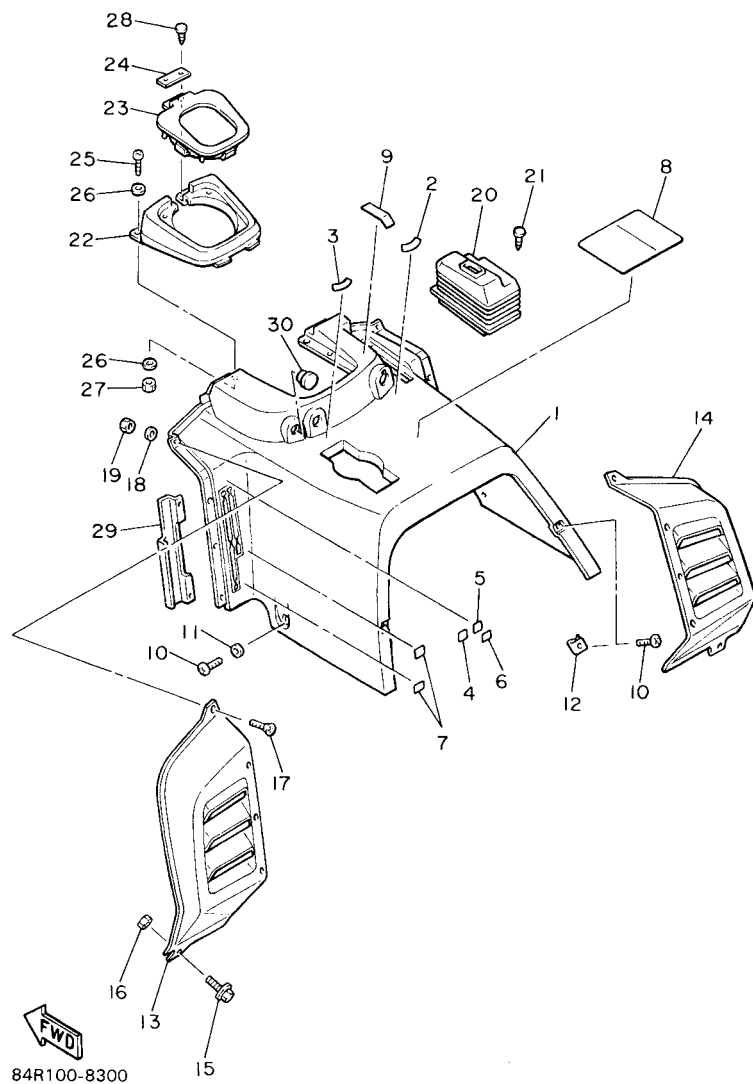
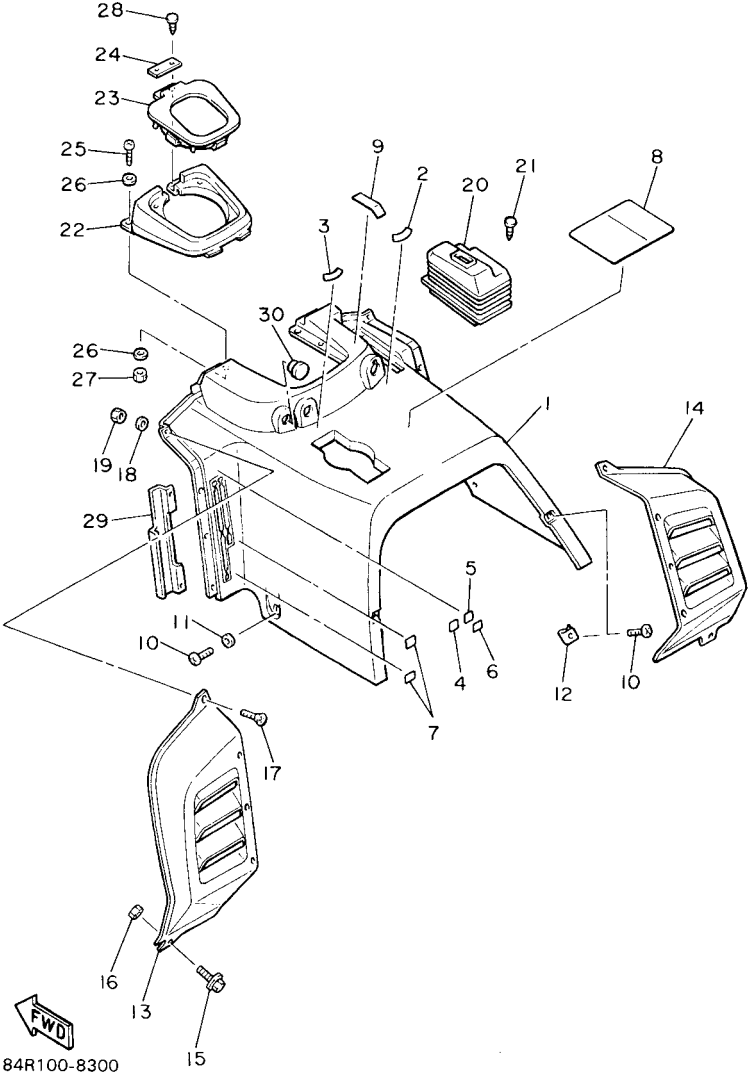


FIG. 34 INSTRUMENT PANEL

REF. NO.	PART NO.	DESCRIPTION	EUR	RUS	JPN	REMARKS
1	86V-77711-00	PANEL, INSTRUMENT	1	1	1	
2	8V0-77741-20	INDICATOR 1	1	1	1	
3	8U9-77742-00	INDICATOR 2	1	1	1	
4	87A-77743-00	INDICATOR 3	1	1	1	
5	87A-77742-00	INDICATOR 2	1	1	1	
6	87A-77741-00	INDICATOR 1	1	1	1	
7	87A-77745-00	INDICATOR 5	2	2	2	
8	8AC-77761-10	LABEL, WARNING 1	1			
	8AC-77761-R1	LABEL, WARNING 1		1		
	8AC-77761-00	LABEL, WARNING 1			1	
9	83R-77741-00	INDICATOR 1	1	1	1	
10	98907-06016	SCREW, BIND	4	4	4	
11	90387-060U0	COLLAR	2	2	2	
12	83R-77144-00	NUT	2	2	2	
13	83R-77131-01	LOUVER 1	1	1	1	
14	83R-77132-01	LOUVER 2	1	1	1	
15	95807-06016	BOLT, FLANGE	2	2	2	
16	95707-06300	NUT, NYLON	2	2	2	
17	98707-04016	SCREW, FLAT HEAD	7	7	7	
18	90201-047A2	WASHER, PLATE	5	5	5	
19	95707-04300	NUT, FLANGE	5	5	5	
20	83R-77731-00	SHIELD 1	1	1	1	
21	90269-05055	RIVET	4	4	4	
22	83R-77712-00	PANEL, INSTRUMENT	1	1	1	
23	83R-77740-00	GROMMET, INSTRUMENT PANEL	1	1	1	
24	83R-77728-00	WASHER	1	1	1	
25	98907-05016	SCREW, BIND	2	2	2	

FIG. 34 INSTRUMENT PANEL

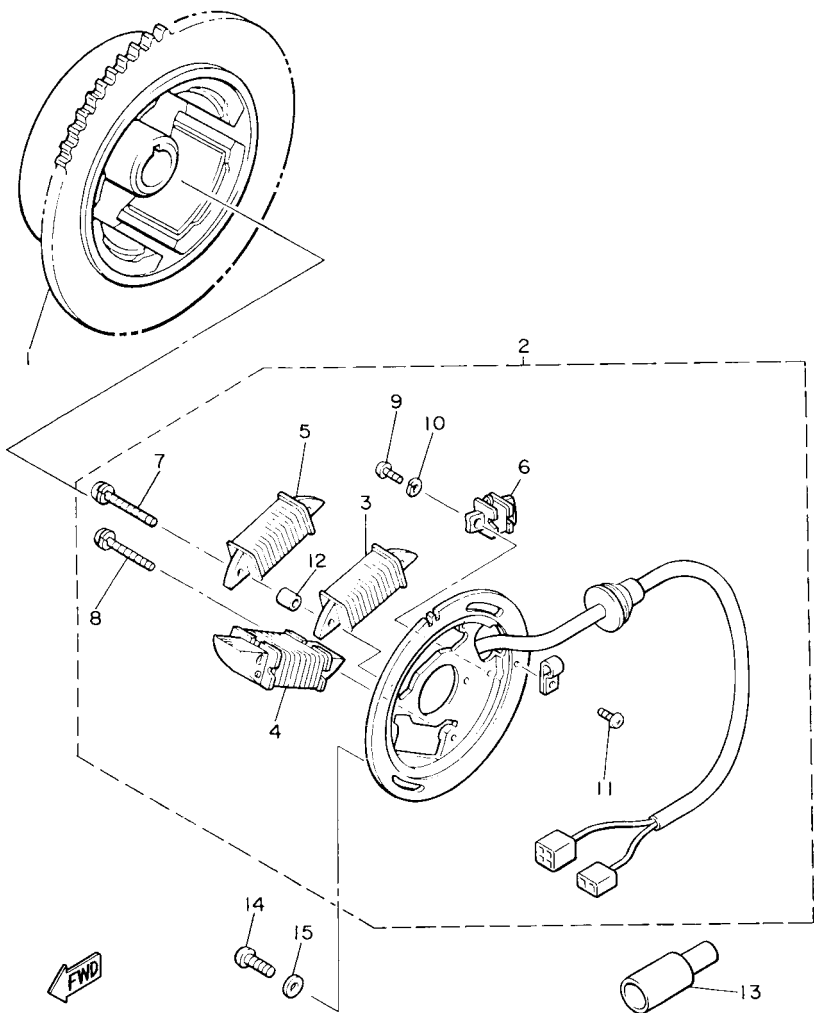


84R100-8300

REF. NO.	PART NO.	DESCRIPTION	EUR	RUS	JPN	REMARKS
26	90201-054K4	WASHER, PLATE	4	4	4	
27	95707-05300	NUT, FLANGE	2	2	2	
28	90269-05055	RIVET	2	2	2	
29	83R-2419A-00	HOLDER	1	1	1	
30	90480-12012	GROMMET	1	1	1	
<hr/>						
<hr/>						
<hr/>						
<hr/>						
<hr/>						
<hr/>						
<hr/>						
<hr/>						
<hr/>						
<hr/>						
<hr/>						

FIG. 35 GENERATOR

REF. NO.	PART NO.	DESCRIPTION	EUR	RUS	JPN	REMARKS
1	8AT-85550-01	ROTOR ASSY	1	1	1	
2	8AT-85560-00	BASE ASSY	1	1	1	
3	81L-85520-M0	.COIL, CHARGE	1	1	1	
4	81L-81313-M0	.COIL, LIGHTING 1	1	1	1	
5	81L-81314-M0	.COIL, LIGHTING 2	1	1	1	
6	8R4-85580-M0	.COIL, PULSER	1	1	1	
7	90159-05130	.SCREW, WITH WASHER	2	2	2	
8	90159-05129	.SCREW, WITH WASHER	2	2	2	
9	98502-04012	.SCREW, PAN HEAD	2	2	2	
10	92902-04100	.WASHER, SPRING	3	3	3	
11	98502-04008	.SCREW, PAN HEAD	1	1	1	
12	90387-06299	.COLLAR	2	2	2	
13	8Y0-82599-00	COVER, CONNECTER	1	1	1	
14	98907-06016	SCREW, BIND	2	2	2	
15	90201-06043	WASHER, PLATE	2	2	2	



8AU100-3340



8AC6100-9360

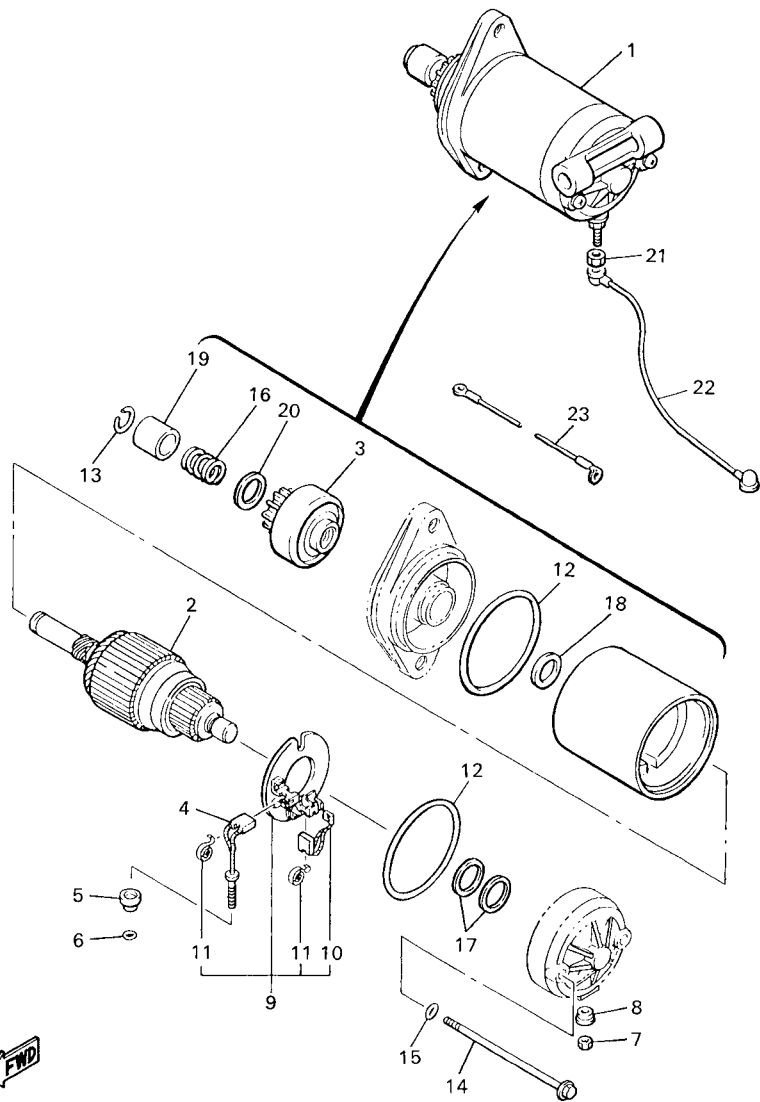
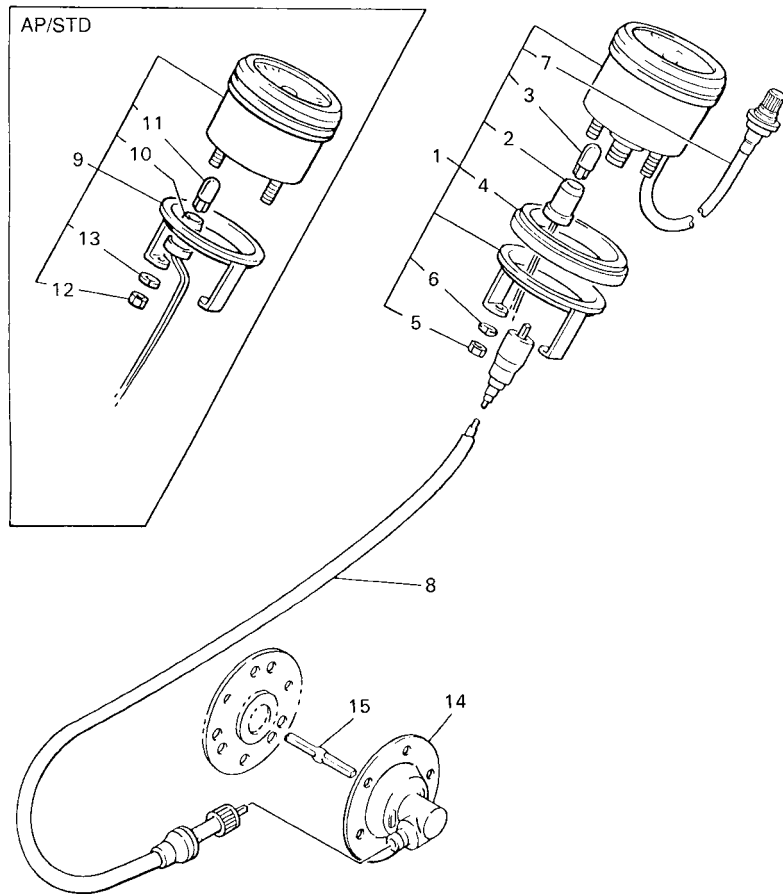


FIG. 36 STARTING MOTOR

REF. NO.	PART NO.	DESCRIPTION	EUR	RUS	JPN	REMARKS
1	8BB-81800-01	STARTING MOTOR ASSY	1	1	1	
2	8Y3-81850-50	.ARMATURE ASSY	1	1	1	
3	84N-81832-51	.CLUTCH, OVER RUN	1	1	1	
4	73A-81811-00	.BRUSH 1	1	1	1	
5	73A-81829-50	.GROMMET	1	1	1	
6	73A-81847-00	.O-RING	1	1	1	
7	4H7-81872-00	.NUT, SPECIAL	1	1	1	
8	73A-81829-00	.GROMMET	1	1	1	
9	8L6-81840-50	.BRUSH HOLDER ASSY	1	1	1	
10	84N-81812-00	..BRUSH 2	1	1	1	
11	8L6-81813-50	..SPRING, BRUSH	2	2	2	
12	4H7-81844-50	.O-RING	2	2	2	
13	8L6-81834-50	.RING	1	1	1	
14	84N-81826-00	.BOLT	2	2	2	
15	8L6-81847-50	.O-RING	2	2	2	
16	8BB-81836-00	.SPRING, LEVER	1	1	1	
17	4H7-81843-50	.WASHER 1	2	2	2	
18	8L6-81835-50	.WASHER 2	1	1	1	
19	8L6-81833-50	.RING, STOP	1	1	1	
20	8BB-8185A-00	.WASHER, PLATE	1	1	1	
21	95307-06600	NUT	1	1	1	
22	83R-82117-01	WIRE, LEAD	1	1	1	
23	88N-82116-00	WIRE, MINUS LEAD	1	1	1	



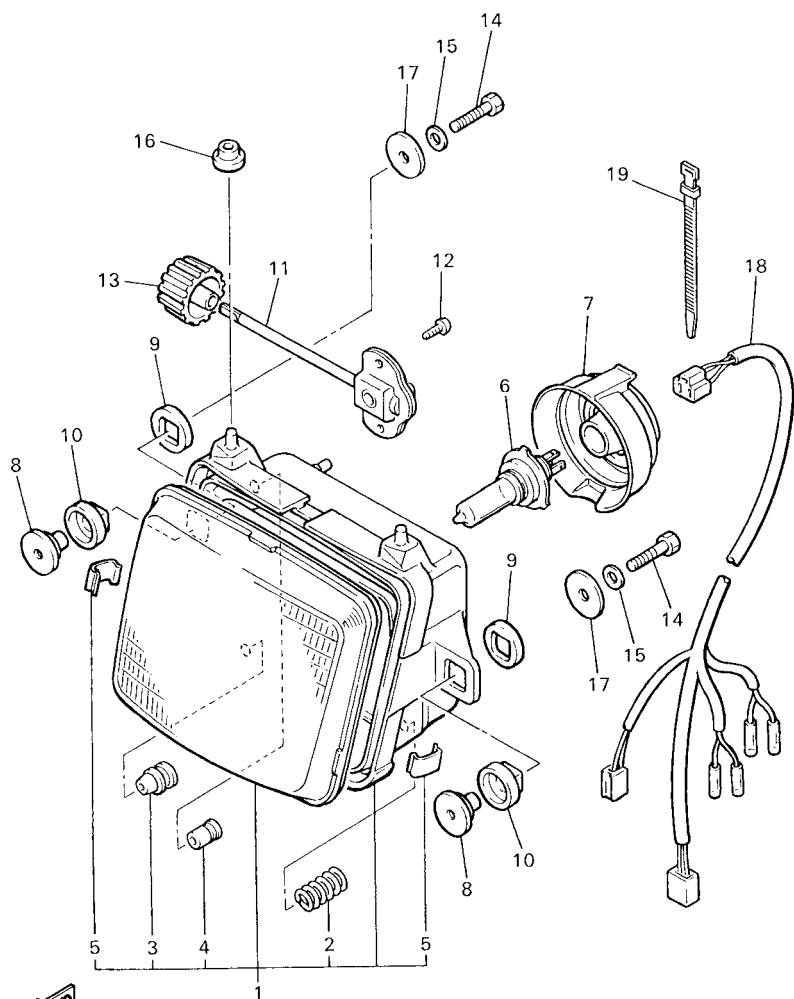
8AC7100-0370

FIG. 37 METER

REF. NO.	PART NO.	DESCRIPTION	EUR	RUS	JPN	REMARKS
1	86V-83510-20	SPEEDOMETER ASSY (KM/H)	1	1	1	
2	8V7-83536-40	.SOCKET, METER	1	1	1	
3	4R0-83517-00	.BULB (12V-3.4W T10)	1	1	1	
4	8G6-83523-00	.DAMPER	1	1	1	
5	95302-05600	.NUT	2	2	2	
6	92902-05100	.WASHER, SPRING	2	2	2	
7	8K1-83603-00	.TRIP METER CABLE ASSY	1	1	1	
8	8H4-83560-00	METER CABLE ASSY	1	1	1	
9	85L-83540-00	TACHOMETER ASSY	1	1		AP
	85L-83540-00	TACHOMETER ASSY			1	STD
10	85L-83509-00	.SOCKET CORD ASSY	1	1		AP
	85L-83509-00	.SOCKET CORD ASSY			1	STD
11	4R0-83517-00	.BULB (12V-3.4W T10)	1	1		AP
	4R0-83517-00	.BULB (12V-3.4W T10)			1	STD
12	95380-05600	.NUT	4	4		AP
	95380-05600	.NUT			4	STD
13	92990-05100	.WASHER, SPRING	4	4		AP
	92990-05100	.WASHER, SPRING			4	STD
14	83R-47700-00	METER GEAR HOUSING COMP.	1	1	1	
15	8K4-47715-00	JOINT	1	1	1	

FIG. 38 HEADLIGHT

REF. NO.	PART NO.	DESCRIPTION	EUR	RUS	JPN	REMARKS
1	83R-8430A-G0	HEAD LIGHT UNIT ASSY	1	1		
	84R-8430A-A0	HEAD LIGHT UNIT ASSY			1	
2	51L-84332-00	.SPRING, SCREW	1	1	1	
3	51L-8431U-00	.HOLDER	1	1	1	
4	51L-84334-00	.NUT, ADJUSTING	2	2	2	
5	36Y-84324-00	.SPRING, REFLECTOR	3	3	3	
6	2F9-84314-00	BULB (12V-60/55W)	1	1	1	(H4)HALOGEN
7	36Y-84397-00	COVER, SOCKET	1	1	1	
8	498-84145-60	COLLAR, BODY FITTING	2	2	2	
9	498-84164-60	DAMPER	2	2	2	
10	498-84163-60	DAMPER	2	2	2	
11	83R-8430M-00	GEAR UNIT ASSY	1	1	1	
12	97707-40616	SCREW, TAPPING	2	2	2	
13	26H-8432M-00	KNOB ASSY	1	1	1	
14	97007-08040	BOLT	2	2	2	
15	92907-08600	WASHER, PLATE	2	2	2	
16	36Y-84354-00	GROMMET	2	2	2	
17	90201-08766	WASHER, PLATE	2	2	2	
18	8AT-84359-00	CORD, HEADLIGHT	1	1	1	
19	437-83936-01	BAND, SWITCH CORD	1	1	1	



8AC4100-7380

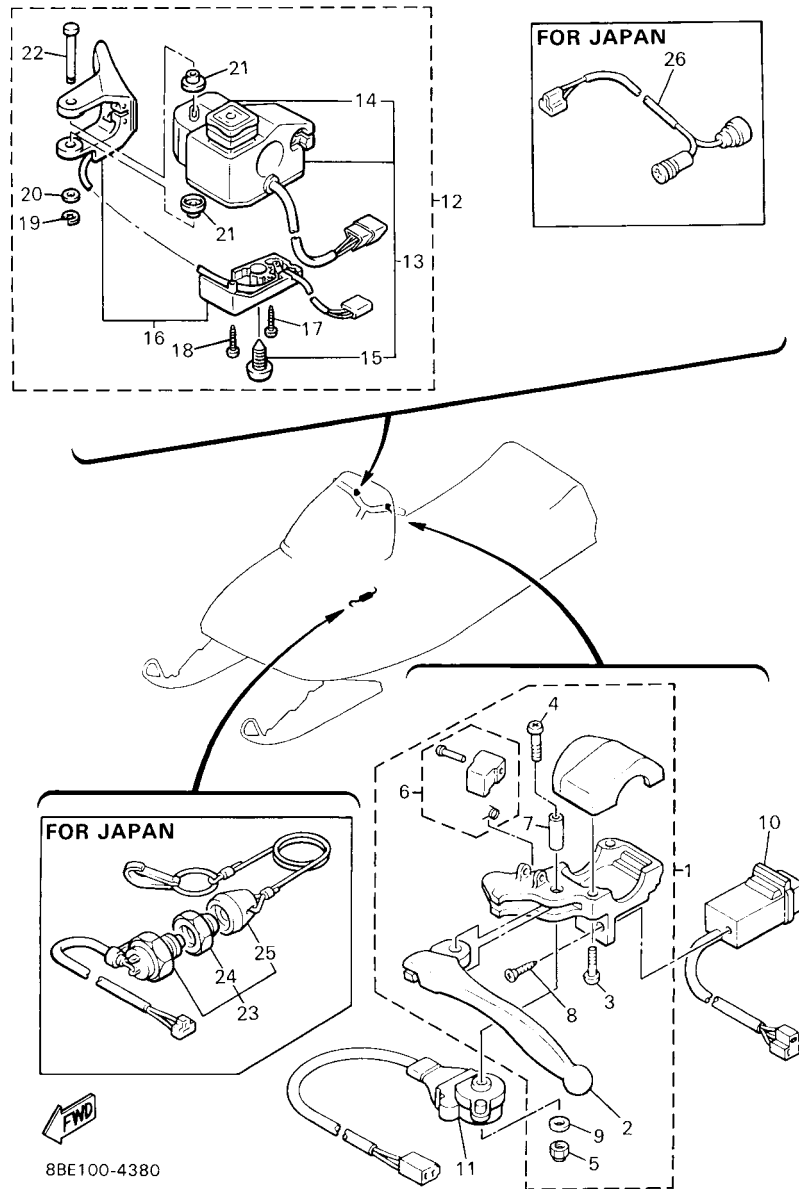
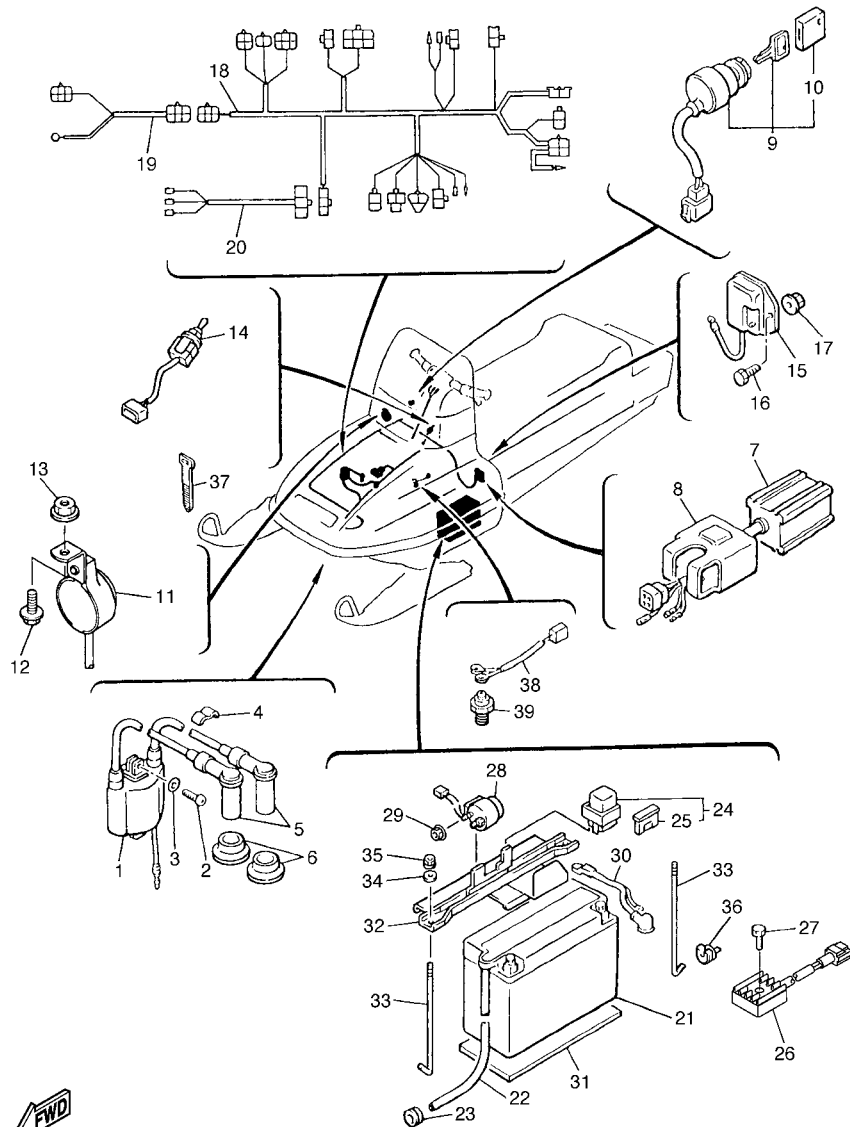


FIG. 40 HANDLE SWITCH & LEVER

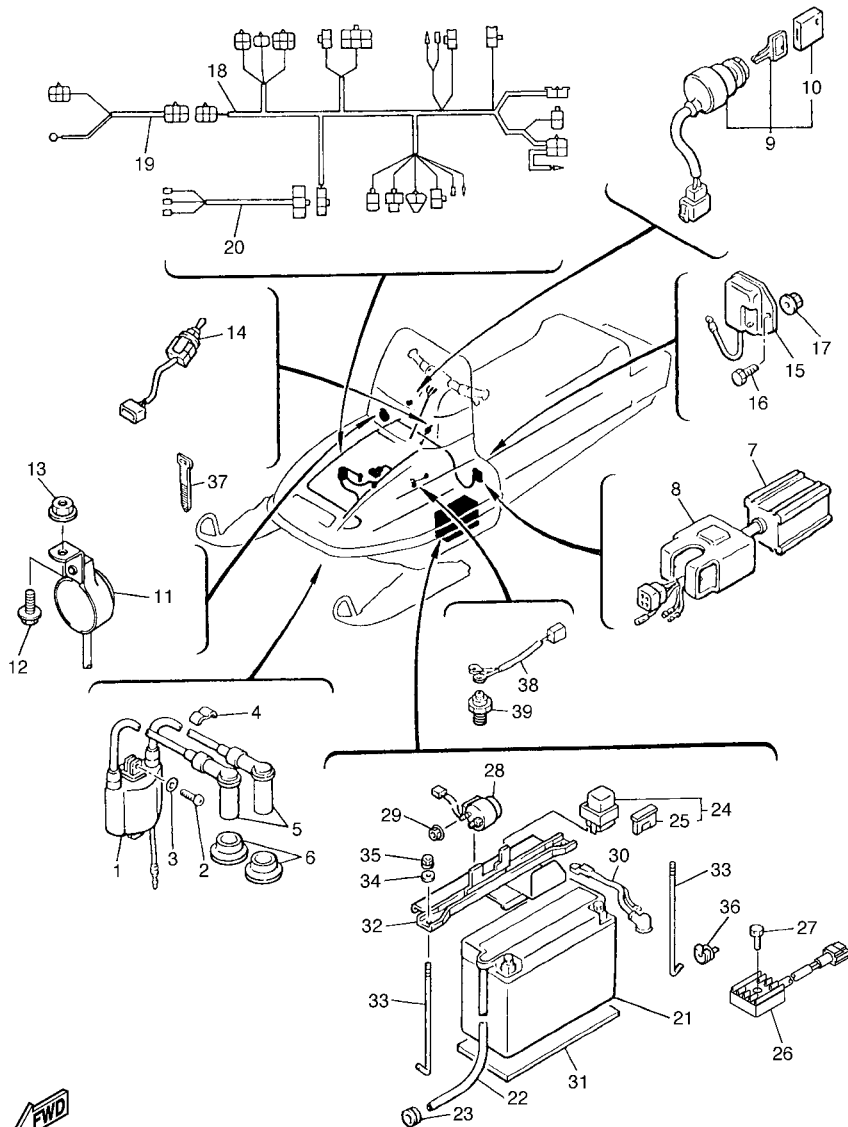
REF. NO.	PART NO.	DESCRIPTION	EUR	RUS	JPN	REMARKS
1	88R-W8291-00	LEVER HOLDER ASSY (LEFT)	1	1	1	
2	8H8-83912-00	.LEVER 1	1	1	1	
3	90157-05027	.SCREW, PAN HEAD	2	2	2	
4	8R4-82113-00	.SCREW	1	1	1	
5	95702-05300	.NUT, NYLON	1	1	1	
6	8K4-W8393-00	.LEVER LOCK ASSY	1	1	1	
7	802-83913-00	.COLLAR, LEVER 1	1	1	1	
8	8R4-8252V-00	.SCREW, SPECIAL	1	1	1	
9	92902-05200	.WASHER	1	1	1	
10	8K4-83950-01	BEAM SWITCH ASSY	1	1	1	
11	88R-82530-00	STOP SWITCH ASSY	1	1	1	
12	8AU-82720-02	LEVER HOLDER ASSY (RIGHT)	1	1	1	
13	8AU-83963-00	.SWITCH, HANDLE 3	1	1	1	
14	8AU-82575-09	..ENGINE STOP SWITCH ASSY	1	1	1	WIRE/L=240MM
15	8R6-83928-00	..SCREW	1	1	1	
16	8AU-82970-02	.THUMB WARMER ASSY	1	1	1	
17	97706-30620	.SCREW, TAPPING	1	1	1	
18	97706-30630	.SCREW, TAPPING	1	1	1	
19	99001-04600	.CIRCLIP	1	1	1	
20	85G-83663-00	.WASHER, SPECIAL	1	1	1	
21	85G-83956-00	.CAP 1	2	2	2	
22	88T-8399F-00	.SHAFT	1	1	1	
23	8H8-82550-01	ENGINE STOP SWITCH ASSY			1	AP
24	8H8-82557-00	.NUT			1	AP
25	8H7-82552-01	.CAP, SWITCH			1	AP
26	89L-82318-00	WIRE, SUB-LEAD			1	AP



8ACF100-D410

FIG. 41 ELECTRICAL 1

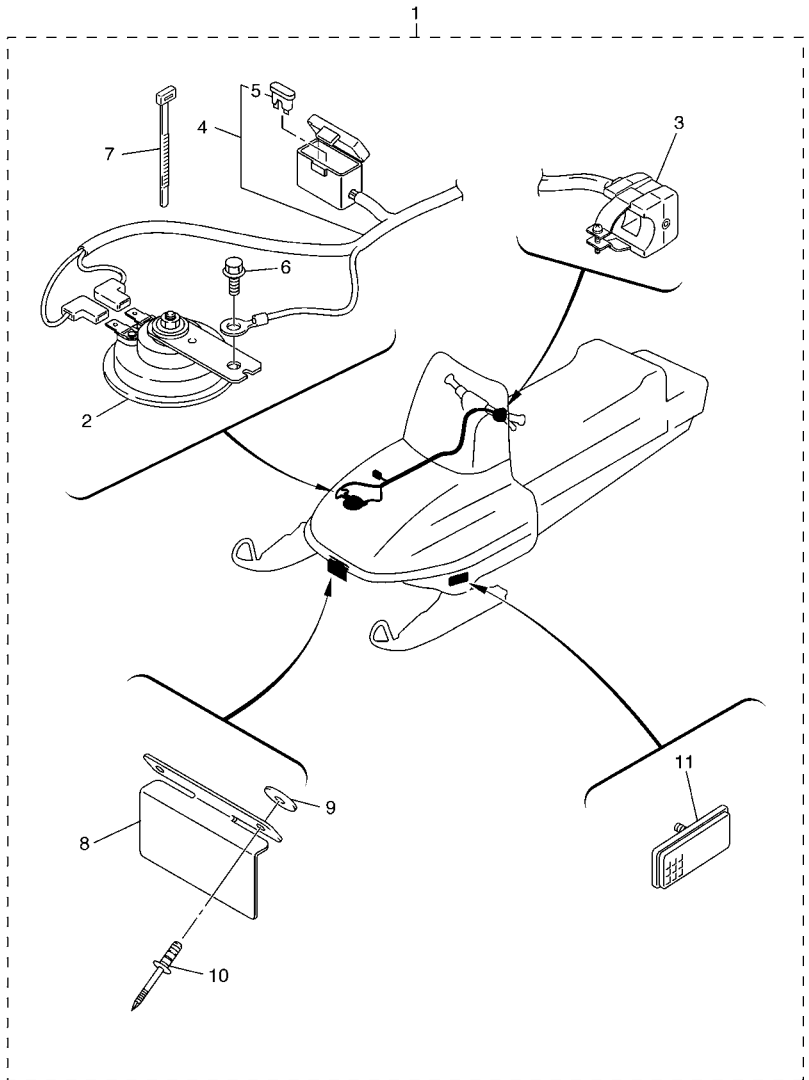
REF. NO.	PART NO.	DESCRIPTION	EUR	RUS	JPN	REMARKS
1	88T-82310-01	IGNITION COIL ASSY	1	1	1	
2	97880-06020	SCREW, PAN HEAD	2	2	2	
3	92990-06600	WASHER, PLATE	2	2	2	
4	861-82361-00	CLAMP, CORD	1	1	1	
5	8K1-82370-20	PLUG CAP ASSY (WITH RESISTOR)	2	2	2	
6	8G5-82372-00	SEAL, PLUG CAP	2	2	2	
7	8AU-85540-00	C.D.I. UNIT ASSY	1	1	1	
8	2A7-85546-00	BAND	1	1	1	
9	8K1-82510-20	MAIN SWITCH ASSY	1	1	1	
10	526-82579-00	.CAP, KEY	2	2	2	
11	87L-83383-01	BUZZER	1	1	1	
12	95827-06016	BOLT, FLANGE	1	1	1	
13	95607-06200	NUT, SELF U-FLANGE	1	1	1	
14	8BE-82917-00	SWITCH	1	1	1	
15	82M-81910-A0	VOLTAGE REGULATOR ASSY	1	1	1	
16	97007-06014	BOLT	1	1	1	
17	95707-06300	NUT, NYLON	1	1	1	
18	8AC-82590-10	WIRE HARNESS ASSY	1	1	1	
19	8AC-82509-00	WIRE, SUB LEAD	1	1	1	
20	8AC-84717-01	CORD, TAILLIGHT	1	1	1	
21	5E3-82110-81	BATTERY ASSY (YUASA YB16AL-A2)	1	1		
	90793-26072	BATTERY ASSY (YUASA YB16AL-A2)			1	
22	8AC-8235W-00	PIPE	1	1	1	
23	90480-12314	GROMMET	1	1	1	
24	8BE-82150-00	FUSE HOLDER ASSY	1	1	1	
25	42X-82151-00	.FUSE (10A-BL)	2	2	2	
26	8AC-81970-00	RECTIFIER ASSY	1	1	1	



8ACF100-D410

FIG. 41 ELECTRICAL 1

REF. NO.	PART NO.	DESCRIPTION	EUR	RUS	JPN	REMARKS
27	95807-06020	BOLT, FLANGE	1	1	1	
28	50W-81940-10	STARTER RELAY ASSY	1	1	1	
29	95707-06500	NUT, FLANGE	2	2	2	
30	88N-82115-00	WIRE, PLUS LEAD	1	1	1	
31	84N-82122-00	SEAT, BATTERY	1	1	1	
32	8AC-82136-10	PLATE, BATTERY FITTING	1	1	1	
33	8Y7-82133-00	SCREW, FITTING	2	2	2	
34	92907-06600	WASHER, PLATE	2	2	2	
35	95707-06300	NUT, NYLON	2	2	2	
36	8AC-82355-00	GROMMET	1	1	1	
37	341-26397-01	BAND	1	1	1	
38	87L-82318-00	WIRE, SUB-LEAD	1	1	1	
39	4KD-82540-00	NEUTRAL SWITCH ASSY	1	1	1	




8ACL100-G430

FIG. 43 ELECTRICAL 3

REF. NO.	PART NO.	DESCRIPTION	EUR	RUS	JPN	REMARKS
1	8AC-833A0-00	HORN KIT	1			FOR FINLAND
2	3MX-83371-11	.HORN	1			FOR FINLAND
3	8FR-83976-02	.SWITCH, HANDLE 1	1			FOR FINLAND
4	8AC-82509-10	.WIRE, SUB LEAD	1			FOR FINLAND
5	5JJ-82151-50	.FUSE (3A-BL)	1			FOR FINLAND
6	95822-06016	.BOLT, FLANGE	1			FOR FINLAND
7	437-83936-01	.BAND, SWITCH CORD	1			FOR FINLAND
8	8GU-21641-00	.BRACKET, REFLECTOR	1			FOR FINLAND
9	90201-05036	.WASHER, PLATE	2			FOR FINLAND
10	90267-47186	.RIVET, BLIND (4.7X16.4 BLACK)	2			FOR FINLAND
11	8GM-85110-00	.REFLECTOR ASSY	2			FOR FINLAND

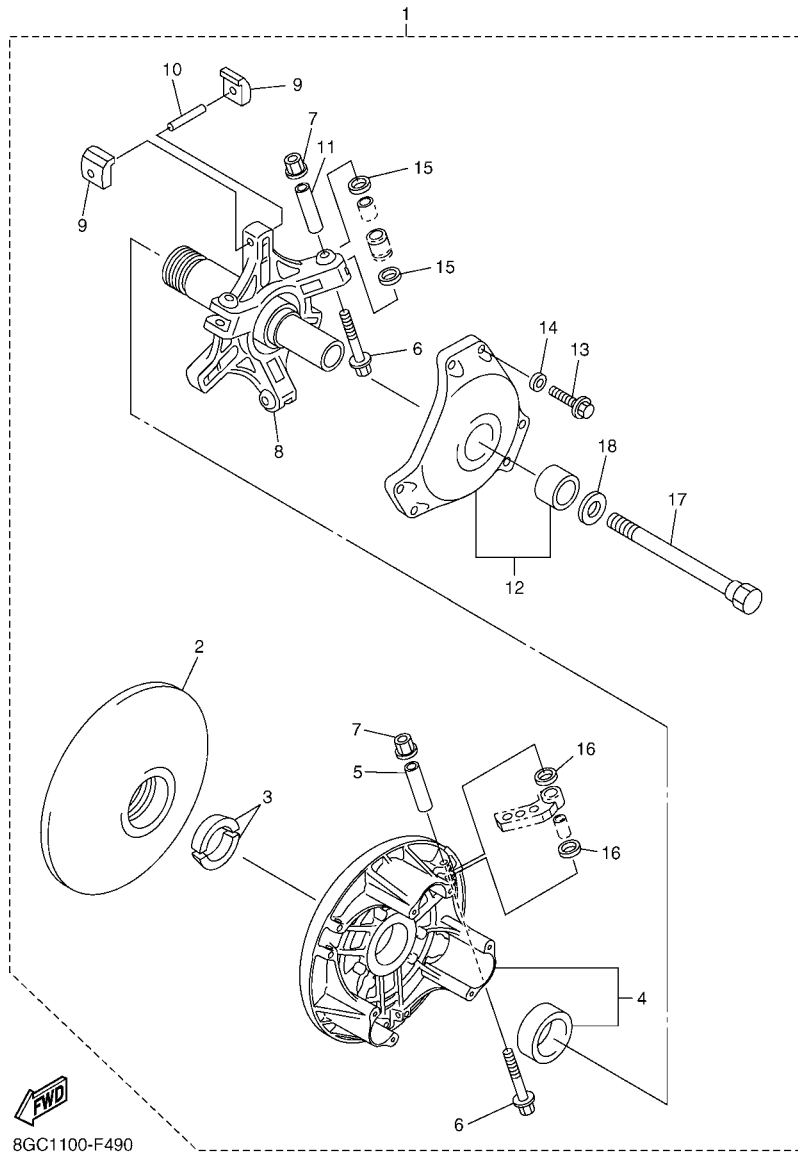


FIG. 45 ALTERNATE REBUILD KIT

REF. NO.	PART NO.	DESCRIPTION	EUR	RUS	JPN	REMARKS
1	8GJ-W176G-02	CLUTCH REPAIR KIT	1	1	1	AP
2	8FA-17611-01	.SHEAVE, PRIMARY FIXED	1	1	1	
3	8V0-17639-00	.STOPPER	2	2	2	
4	8BV-17620-03	.PRIMARY SLIDING SHEAVE COMP.	1	1	1	
5	90387-0514T	.COLLAR	3	3	3	
6	90105-05644	.BOLT, FLANGE	6	6	6	
7	95607-05200	.NUT, U FLANGE	6	6	6	
8	8ES-17640-02	.SPIDER COMPLETE	1	1	1	
9	8BW-17653-00	.SLIDER	6	6	6	
10	91609-50032	.PIN, SPRING	3	3	3	
11	90387-0514U	.COLLAR	3	3	3	
12	8BV-17630-11	.PRIMARY SHEAVE CAP COMP.	1	1	1	
13	97017-06030	.BOLT	6	6	6	
14	92907-06600	.WASHER, PLATE	6	6	6	
15	90202-09227	.WASHER, PLATE	6	6	6	
16	90202-08204	.WASHER, PLATE	6	6	6	
17	8V0-17647-00	.BOLT (L=156.5MM)	1	1	1	
18	92907-16100	.WASHER	1	1	1	

NUMERICAL INDEX

PART NO.	REF. NO.	PART NO.	REF. NO.	PART NO.	REF. NO.	PART NO.	REF. NO.	PART NO.	REF. NO.	PART NO.	REF. NO.
8R6-11111-00	1 - 1	866-13175-00	5 - 4	3G2-14231-79	7 - 12	8AT-17605-10	11 - 22	83M-21488-00	24 - 13	8F3-23812-00	17 - 8
J38-11116-00	9 - 7	821-13176-00	5 - 3	8M6-14261-00	7 - 5	8FA-17611-01	11 - 1	8GU-21641-00	43 - 8	8AT-23813-01	17 - 2
83R-11161-00	1 - 3	8K2-13178-00	2 - 22	89A-14265-00	7 - 20		45 - 2	8AT-21747-00	14 - 23	8G5-23814-00	17 - 3
83R-11162-00	1 - 10	8H8-13179-00	5 - 14	8X0-14358-00	7 - 23	8BV-17620-03	11 - 3	83R-21751-00	14 - 1	8K1-23814-00	17 - 4
83R-11181-00	1 - 4	821-13188-00	5 - 5	83R-14425-00	6 - 28		45 - 4	863-21771-00	14 - 4	8W9-23815-00	17 - 12
83R-11311-00	1 - 9	8G8-13342-00	5 - 16	8H8-14431-00	6 - 18	8FG-17624-00	11 - 19	8AC-21910-01	15 - 1	8W9-23817-00	17 - 13
89N-11351-00	1 - 12	8G8-13410-00	14 - 7	8H8-14441-00	6 - 19		46 - 8	8AC-21912-00	15 - 6	8AT-23818-00	15 - 20
8AT-11400-01	2 - 6	353-13552-01	4 - 6	83R-14453-00	6 - 15	8BV-17630-11	11 - 14	89X-21917-00	15 - 28	8AT-23821-00	17 - 19
83R-11412-01	2 - 7	8G8-13555-01	6 - 11	83R-14465-00	6 - 20		45 - 12	8AC-21933-00	15 - 63	8L0-2382E-01	16 - 40
8H8-11422-01	2 - 8	8Y7-13556-01	6 - 6	8H8-14466-00	6 - 21	8V0-17639-00	11 - 2	81E-21945-00	15 - 2	8L0-2382F-00	16 - 41
8H8-11432-01	2 - 9	83R-13565-00	6 - 7	8H8-14477-00	6 - 22		45 - 3	8AT-2194Y-00	15 - 26	8AT-23831-00	17 - 24
8AT-11442-00	2 - 10	8AT-13610-00	6 - 1	8X0-14500-00	7 - 19	8ES-17640-02	11 - 8	83R-21955-00	15 - 4	86X-23841-00	17 - 20
8H8-11515-00	2 - 14	8AT-13613-00	6 - 2	8K4-14610-00	8 - 1		45 - 8	8AT-2195Y-00	15 - 27	87S-23845-01	17 - 25
8R6-11601-00	2 - 2	8H8-13616-00	6 - 3	82M-14613-01	8 - 2	89L-17641-02	11 - 26	8AC-21965-00	15 - 10	87S-23847-01	17 - 21
8R6-11601-10	2 - 2	84R-14101-02	7 - 1	83R-14710-04	8 - 5	8V0-17647-00	11 - 27	8AT-2196T-00	15 - 56		17 - 26
8R6-11601-20	2 - 2	86R-14101-02	7 - 1	83R-14728-01	8 - 6		45 - 17	83R-21986-00	15 - 7	82M-23851-00	16 - 32
8R6-11631-00-95	2 - 1	22F-14117-00	7 - 21	83R-14941-4E	7 - 11	8BW-17653-00	11 - 9	89X-21987-00	15 - 8	8AT-23852-00	16 - 33
8H8-11633-00	2 - 3	8V0-14118-00	7 - 17	1UF-14952-00	7 - 22		45 - 9	83R-2198F-00	15 - 5	8V0-23858-00	19 - 29
8R6-11635-00	2 - 1	80L-14122-00	7 - 18	8H8-15100-02	9 - 1	88R-17660-03	12 - 1	8M6-2198F-00	15 - 23	84M-23868-00	17 - 6
8R6-11636-00	2 - 1	127-14124-20	7 - 26	3Y1-15363-10	28 - 20	8AT-17670-01	12 - 2	8AC-2198G-00	15 - 59	83R-23870-00	18 - 1
8R6-11651-00	2 - 12	89A-14125-00	7 - 18	8AT-15416-00	5 - 1	88N-17680-02	12 - 11	8M6-21998-00	15 - 24	84M-23872-00	17 - 7
8A7-11685-00	2 - 23	8M6-14126-00	7 - 4	8K4-15426-00	5 - 10	83R-17682-00	27 - 12	8AT-2199G-01	15 - 48	8AT-23883-01	18 - 2
8H8-12611-01	3 - 14	2J2-14133-00	7 - 19	8H8-15710-00	10 - 1	8AT-17684-01	12 - 9	8AT-2199H-00	29 - 70	8AT-23884-01	18 - 3
8H8-12612-00	3 - 21	8X0-14133-00	7 - 28	8H8-15711-00	10 - 2	8X6-17688-00	12 - 3	8AT-22401-00	16 - 19	8AC-23894-01	17 - 9
8L0-12616-00	3 - 34	82A-14134-00	7 - 2	8F3-15713-01	10 - 5	52G-18113-00	28 - 25	89L-22493-00	16 - 22	83R-24111-00	19 - 1
8H8-12618-01	3 - 22	127-14135-00	7 - 14	8F3-15714-01	10 - 3	83R-18116-00	28 - 44	4XV-2341B-00	31 - 8	8AC-2414B-01	30 - 4
8H8-12619-01	3 - 16	193-14142-90	7 - 16	8F3-15715-00	10 - 6	89N-18130-01	28 - 10	8AC-23711-00	16 - 1	83R-2419A-00	34 - 29
88F-12621-02	3 - 1	3G2-1414E-56	7 - 12	8G5-15716-00	10 - 15	83R-18150-00	28 - 24	8DM-23712-00	16 - 2	84M-24327-00	6 - 40
8AC-1262A-E0	3 - 40	193-1414F-00	7 - 16	8F3-15716-03	10 - 9	83R-18153-00	28 - 30	8EN-23731-01	16 - 4		14 - 14
8AC-1262A-R1	3 - 40	802-14161-00	7 - 27	8H8-15723-01	10 - 18	3X3-18156-10	28 - 45	8HG-23737-00	16 - 8	81E-24328-00	19 - 28
8Y0-12637-02	3 - 35	8A7-14169-00	7 - 24	8F3-15734-00	10 - 8	3X3-18157-10	28 - 40	8HG-23738-00	16 - 9	83R-24335-00	19 - 13
8H8-12651-02	3 - 23	8G8-14171-00	7 - 15	8G5-15739-00	10 - 12	83R-1815A-00	28 - 26	88T-23743-00	16 - 12	813-24336-00	19 - 17
8H8-12652-00	3 - 33	8G8-14174-00	7 - 13	8F3-15739-01	10 - 7	59V-18174-00	28 - 27	8EK-23751-00	16 - 5	801-24376-00	14 - 6
8H8-12658-00	3 - 25	8U9-14174-00	7 - 13	8F3-15741-01	10 - 4	83R-18341-00	28 - 31	8AC-23754-00	16 - 3	82M-24376-00	19 - 19
8Y0-12658-00	3 - 3	8AT-1417E-00	32 - 5	8F3-15751-00	10 - 13	59V-18433-00	28 - 37	8HG-23755-00	16 - 6	878-24379-00	19 - 31
8H8-12659-00	3 - 26	8X0-14184-00	7 - 20	8F3-15755-00	10 - 14	83R-18511-00	27 - 37	8HG-23756-00	16 - 7	8AT-24410-00	6 - 29
8H8-12669-00	3 - 27	8M6-14185-00	7 - 10	83R-17121-00	27 - 6	83R-18531-00	27 - 38	8AC-23765-00	16 - 11	89A-24529-00	7 - 28
8V8-12678-00	3 - 28	88V-14186-00	7 - 9	8AT-17131-00	27 - 11	89N-18540-00	28 - 2	83R-23768-00	25 - 19	8H5-24560-00	19 - 15
8AT-12679-00	3 - 30	8M6-14186-00	7 - 9	8AT-17141-00	27 - 19	59V-18561-00	28 - 29	8AC-2376A-00	16 - 18	8W6-24611-00	19 - 2
8Y0-12679-00	3 - 2	83R-14190-15	7 - 8	83R-17143-00	27 - 26	8H8-21411-01	13 - 1	84M-2376E-00	16 - 51	813-24613-01	19 - 3
8Y0-12687-02	3 - 36	214-14195-00	7 - 7	83R-17151-00	27 - 20	8AT-21417-00	13 - 15	8AT-2376J-00	16 - 29	83M-24628-00	19 - 8
8AT-13101-00	4 - 1	866-13198-00	7 - 6	83R-17153-00	27 - 36	8H8-21418-01	13 - 16	8L0-2376R-00	16 - 30	8F7-24641-00	19 - 4
8Y0-13116-01	4 - 17	620-14211-00	7 - 3	83R-17243-00	27 - 35	83R-21419-01	13 - 2	82M-23777-00	16 - 20	8AC-2470F-00	20 - 2
8K4-13119-00	5 - 18	80L-14227-00	7 - 25	85R-17421-00	27 - 2	8H8-21427-00	13 - 17	8HG-23778-00	16 - 10	85R-2471A-00	15 - 54
137-13137-00	4 - 11	3G2-14231-27	7 - 12	83R-17431-00	27 - 17	8H8-21429-01	13 - 3	82M-23779-00	16 - 25	83R-24729-00	20 - 3
137-13138-01	4 - 10	3G2-14231-28	7 - 12	83R-17432-01	27 - 31	8V9-21485-00	13 - 5	84M-2377E-00	16 - 52	8AC-24730-00	20 - 1
8A5-13146-01	4 - 19	3G2-14231-77	7 - 12	83R-17492-10	27 - 10	8N7-21486-00	13 - 4	8L0-23788-00	16 - 23	8AT-24778-00	20 - 5
137-13148-00	5 - 7	3G2-14231-78	7 - 12		27 - 25	8V9-21486-00	13 - 6	8AU-23811-10	17 - 1	8AC-24790-10	20 - 7

NUMERICAL INDEX

PART NO.	REF. NO.	PART NO.	REF. NO.	PART NO.	REF. NO.	PART NO.	REF. NO.	PART NO.	REF. NO.	PART NO.	REF. NO.
4KN-24877-C0	33 - 28	8AC-47331-00	24 - 12	8AC-47550-00	23 - 23	87S-77213-10	31 - 2	83R-77728-00	34 - 24	8Y7-82133-00	41 - 33
8FM-24897-11	33 - 28	8AC-47332-00	24 - 46	83R-47551-00	26 - 5	8AC-77231-40	29 - 49	83R-77731-00	34 - 20	8AC-82136-10	41 - 32
87R-25721-00	21 - 10	8FM-47333-00	25 - 6	83R-47571-00	28 - 13	8AC-77231-50	29 - 49	83R-77740-00	34 - 23	8BE-82150-00	41 - 24
87R-25722-00	21 - 13	83R-47335-00	25 - 21	8K4-47577-00	26 - 2	83R-77241-00	29 - 46	83R-77741-00	34 - 9	42X-82151-00	41 - 25
87R-25726-01	21 - 4	83R-47337-00	25 - 1	86V-47578-00	28 - 47	86V-77251-01	29 - 53	87A-77741-00	34 - 6	5JJ-82151-50	43 - 5
87R-25730-01	21 - 2	8AC-47341-00	24 - 9	88N-47591-00	28 - 18	87R-77251-01	29 - 53	8V0-77741-20	34 - 2	88T-82310-01	41 - 1
86M-25733-00	21 - 14	8AC-47349-00	24 - 93	85R-47592-00	28 - 22	8AT-77261-00	29 - 3	87A-77742-00	34 - 5	87L-82318-00	41 - 38
86M-25738-00	21 - 3	8AC-47366-00	24 - 77	83R-47612-00	27 - 42	8AT-77262-00	29 - 4	8U9-77742-00	34 - 3	89L-82318-00	40 - 26
87R-25743-00	21 - 12	8DF-47367-00	24 - 90	83R-47613-00	27 - 39	8AT-77263-00	29 - 5	87A-77743-00	34 - 4	8AC-82355-00	41 - 36
86M-25744-00	21 - 16	8AC-47411-10	24 - 1	88N-47631-00	12 - 12	8AT-77264-00	29 - 6	87A-77745-00	34 - 7	8AC-8235W-00	41 - 22
86M-25771-00	21 - 7	8AC-47414-10	24 - 2	83R-47700-00	37 - 14	8AT-77265-00	29 - 7	8AC-77761-00	34 - 8	861-82361-00	41 - 4
86M-25772-00	21 - 8	8AC-47416-01	24 - 39	8K4-47715-00	37 - 15	8AT-77266-00	29 - 8	8AC-77761-10	34 - 8	8K1-82370-20	41 - 5
86M-25773-00	21 - 6	8AC-47417-00	24 - 54	8AC-77111-40	29 - 1	8AT-77267-00	29 - 9	8AC-77761-R1	34 - 8	8G5-82372-00	41 - 6
89J-25811-00	21 - 18	8AC-47418-00	24 - 34	8AC-77111-50	29 - 1	8AT-77268-00	29 - 10	86D-77762-00	32 - 3	8AC-82509-00	41 - 19
86M-25818-00	21 - 9	8CM-47419-10	23 - 4	83R-77118-01	29 - 64	8AT-77269-00	29 - 11	8BD-77762-21	32 - 3	8AC-82509-10	43 - 4
86M-25826-00	21 - 11		23 - 38	8AC-7711A-30	30 - 2	8AT-77271-00	15 - 36	8AT-77762-R1	32 - 3	8K1-82510-20	41 - 9
86M-25827-00	21 - 5	8AC-47421-00	24 - 3	8AC-7711A-40	30 - 2	8AC-77272-00	15 - 37	81L-81313-M0	35 - 4	8R4-8252V-00	40 - 8
83R-25831-00	21 - 1	8ED-47422-00	24 - 5	8AC-7711B-30	30 - 3	8AT-77273-10	15 - 38	81L-81314-M0	35 - 5	88R-82530-00	40 - 11
86M-25833-00	21 - 15	8AC-47424-00	25 - 4	8AC-7711B-40	30 - 3	8AT-77274-00	15 - 39	8BB-81800-01	36 - 1	4KD-82540-00	41 - 39
89J-25911-00	21 - 19	83R-47446-00	25 - 22	8AC-7711C-00	30 - 5	8AT-77275-00	15 - 40	73A-81811-00	36 - 4	8H8-82550-01	40 - 23
8DX-26240-01	22 - 8	8CR-47448-00	24 - 22	8AC-7711C-10	30 - 5	8AT-77311-00	32 - 1	84N-81812-00	36 - 10	8H7-82552-01	40 - 25
8E1-26280-00	44 - 2	8AC-47457-00	24 - 8	8AT-77121-00	29 - 21	8AT-77319-00	32 - 4	8L6-81813-50	36 - 11	8H8-82557-00	40 - 24
8E1-26290-00	44 - 3	8AX-47458-00	24 - 10	8AT-77122-00	29 - 22	83R-77327-00	32 - 2	84N-81826-00	36 - 14	8AU-82575-09	40 - 14
83R-26311-02	22 - 1	8AC-4745A-10	24 - 80	83R-77125-00	29 - 30	86V-77384-00	20 - 4	73A-81829-00	36 - 8	526-82579-00	41 - 10
8L8-26320-04	4 - 21	8CR-4745B-00	24 - 81	8AT-77125-00	29 - 14	8AT-77511-01	33 - 1	73A-81829-50	36 - 5	8AC-82590-10	41 - 18
8U9-26325-00	22 - 6	8DF-47463-01	24 - 35	83R-77131-01	34 - 13	8AT-77512-01	33 - 2	84N-81832-51	36 - 3	8Y0-82599-00	35 - 13
83R-26331-01	22 - 4	8DF-47464-01	24 - 36	83R-77132-01	34 - 14	83R-77515-00	29 - 38	8L6-81833-50	36 - 19	87S-8259A-01	7 - 29
8G8-26333-00	22 - 5	8AC-47465-00	24 - 16	83R-77140-00	29 - 25	8AT-77516-00	33 - 3	8L6-81834-50	36 - 13	8AU-82720-02	40 - 12
87R-26340-01	22 - 3	83R-47469-00	24 - 95	83R-77144-00	29 - 45	8AT-77521-00	33 - 12	8L6-81835-50	36 - 18	8BE-82917-00	41 - 14
341-26397-01	19 - 18	8AC-47475-00	24 - 47		34 - 12	8AT-77522-00	33 - 13	8BB-81836-00	36 - 16	8AU-82970-02	40 - 16
	41 - 37	8AC-47478-00	25 - 24	83R-7714A-00	29 - 26	8AT-77523-00	33 - 16	8L6-81840-50	36 - 9	3MX-83371-11	43 - 2
85R-2639F-00	15 - 55	8DM-47479-00	23 - 33	8AT-77153-00	29 - 17	8AT-77524-00	33 - 17	4H7-81843-50	36 - 17	87L-83383-01	41 - 11
88T-27431-10	15 - 65	8AC-47480-40	24 - 61	8AT-77154-00	29 - 18	8X0-77525-00	33 - 30	4H7-81844-50	36 - 12	8AC-833A0-00	43 - 1
88T-27441-10	15 - 66	8AC-47480-50	24 - 61	8U1-77157-00	33 - 26	8AT-77526-00	15 - 21	73A-81847-00	36 - 6	85L-83509-00	37 - 10
85L-28100-00	15 - 70	8AC-47481-00	24 - 28	838-77159-00	29 - 65	8X0-77526-00	33 - 31	8L6-81847-50	36 - 15		37 - 10
4B5-2815K-20	31 - 6	83R-47485-02	24 - 18	8CR-77165-00	15 - 41	8AT-77527-02	15 - 19	8Y3-81850-50	36 - 2	86V-83510-20	37 - 1
8AC-2815P-J0	29 - 66		24 - 56	8V0-77171-00	29 - 59	8AT-77529-00	33 - 4	8BB-8185A-00	36 - 20	4R0-83517-00	37 - 3
8AC-2815P-S0	29 - 66	8AT-47486-00	23 - 13	8M6-77175-00	29 - 72	8AC-77540-00	33 - 18	4H7-81872-00	36 - 7		37 - 11
8AC-4631K-00	24 - 62	8AC-47488-10	24 - 40	83R-7717E-00	15 - 44	8AT-77551-01	33 - 7	82M-81910-A0	41 - 15		37 - 11
8AC-47110-11	23 - 1	8CR-47494-01	24 - 69	83R-7717F-00	15 - 45	8AT-77552-00	33 - 6	50W-81940-10	41 - 28	8G6-83523-00	37 - 4
8HR-47113-09	23 - 2	8CV-47495-00	24 - 24	82M-7717G-01	29 - 12	8AT-77553-00	33 - 8	8AC-81970-00	41 - 26	8V7-83536-40	37 - 2
8HR-47115-09	23 - 3	83R-47520-10	23 - 24	8V0-7717H-01	29 - 13	8X0-77571-00	33 - 29	5E3-82110-81	41 - 21	85L-83540-00	37 - 9
8AC-47310-10	24 - 79		24 - 94	83R-77185-00	29 - 29	80M-77591-00	33 - 37	8R4-82113-00	40 - 4		37 - 9
87M-47320-00	23 - 8	8K2-47530-00	23 - 28	83R-77186-00	29 - 41	86D-77591-00	33 - 24	88N-82115-00	41 - 30	8H4-83560-00	37 - 8
	23 - 14	87R-47541-00	28 - 1	83R-77194-00	29 - 37	84R-77592-00	33 - 24	88N-82116-00	36 - 23	8K1-83603-00	37 - 7
	23 - 42	83R-47543-00	27 - 1	8AT-77196-00	29 - 71	83R-77595-00	33 - 34	83R-82117-01	36 - 22	85G-83663-00	40 - 20
8AC-47320-00	23 - 20	85R-47544-01	28 - 17	86V-77210-10	31 - 1	86V-77711-00	34 - 1	84N-82122-00	41 - 31	8H8-83912-00	40 - 2
8U7-47320-00	23 - 25	83R-47548-00	27 - 49	83R-77212-00	29 - 50	83R-77712-00	34 - 22	4J2-82131-01	15 - 3	802-83913-00	40 - 7

NUMERICAL INDEX

PART NO.	REF. NO.	PART NO.	REF. NO.	PART NO.	REF. NO.	PART NO.	REF. NO.	PART NO.	REF. NO.	PART NO.	REF. NO.
8R6-83928-00	40 - 15	88R-W8291-00	40 - 1	90159-05129	35 - 8	90201-08759	17 - 33	90202-09227	11 - 18	90338-30219	27 - 55
437-83936-01	22 - 9	8K4-W8393-00	40 - 6	90159-05130	35 - 7	90201-08766	38 - 17		45 - 15	90338-44093	15 - 34
	38 - 19	90101-08005	17 - 10	90170-08220	16 - 26	90201-08784	19 - 21		46 - 7	90380-10129	13 - 8
	43 - 7	90101-08774	23 - 12	90170-08261	28 - 43	90201-100L3	23 - 6	90202-14037	16 - 49	90380-16109	25 - 13
8K4-83950-01	40 - 10		23 - 46	90170-10186	17 - 23		23 - 18	90202-16231	24 - 83	90380-22232	24 - 88
85G-83956-00	40 - 21	90101-10357	27 - 48		17 - 28		23 - 40	90202-16232	24 - 84	90380-28235	24 - 89
8AU-83963-00	40 - 13	90101-10738	24 - 31	90170-16425	2 - 28		24 - 20	90202-22238	25 - 10	90380-28237	11 - 15
8FR-83976-02	43 - 3	90102-10039	16 - 46		3 - 20	90201-100S7	16 - 15	90206-11016	5 - 6		46 - 6
88T-8399F-00	40 - 22	90102-10044	17 - 32	90170-25367	26 - 8	90201-100U1	24 - 65	90208-25045	26 - 7	90381-14101	24 - 29
498-84145-60	38 - 8	90102-10067	16 - 47	90176-05059	31 - 4		24 - 74	90209-24073	2 - 11		24 - 66
498-84163-60	38 - 10		17 - 29	90176-08063	33 - 33	90201-10119	5 - 17	90210-10004	27 - 46	90381-14109	24 - 70
498-84164-60	38 - 9	90105-05644	11 - 6	90179-08268	1 - 14	90201-10136	24 - 57	90214-17017	3 - 17	90381-19111	24 - 15
84R-8430A-A0	38 - 1		11 - 12	90179-08269	1 - 7		24 - 78	90214-17018	3 - 17	90381-22099	24 - 41
83R-8430A-G0	38 - 1		45 - 6	90179-10670	23 - 7	90201-101U2	24 - 91	90214-29060	12 - 7	90381-28108	24 - 51
83R-8430M-00	38 - 11		46 - 4		23 - 41	90201-10321	13 - 11	90215-39268	27 - 51	90384-14091	16 - 42
2F9-84314-00	38 - 6	90105-06405	28 - 5	90185-08054	17 - 11	90201-103U4	24 - 64	90249-03017	19 - 11		16 - 54
51L-8431U-00	38 - 3	90105-06437	20 - 8	90185-10085	17 - 34	90201-104A7	12 - 20	90249-03175	19 - 10	90384-14096	16 - 43
36Y-84324-00	38 - 5	90105-08408	33 - 5	90185-10110	24 - 32	90201-106F2	24 - 85	90249-12216	27 - 44	90384-16251	24 - 82
26H-8432M-00	38 - 13	90105-08450	24 - 38	90185-10115	25 - 8	90201-107G8	13 - 10	90261-06015	11 - 24	90384-36134	15 - 31
51L-84332-00	38 - 2	90105-08483	25 - 17	90201-042E0	15 - 58	90201-12317	13 - 12	90261-06019	11 - 24	90384-41242	11 - 4
51L-84334-00	38 - 4	90105-10029	23 - 39	90201-04325	15 - 17	90201-144J2	28 - 33	90261-06033	11 - 24		46 - 2
36Y-84354-00	38 - 16	90105-10105	24 - 75		15 - 43	90201-171J5	27 - 30	90267-40029	15 - 22	90384-53175	16 - 36
8AT-84359-00	38 - 18	90105-10106	16 - 13	90201-043H5	15 - 25	90201-17713	3 - 13	90267-40172	15 - 57	90384-90081	12 - 5
36Y-84397-00	38 - 7	90105-103A1	24 - 17	90201-043H7	29 - 36		3 - 19	90267-47186	15 - 60	90386-08002	11 - 23
8K4-84710-00	39 - 1		24 - 45		29 - 69	90201-205R6	23 - 35		15 - 64	90386-09001	11 - 20
8K4-84711-00	39 - 3	90105-10433	23 - 19	90201-047A2	34 - 18	90201-20792	27 - 16		43 - 10	90387-0514T	11 - 5
838-84714-01	39 - 2		24 - 21	90201-047R8	24 - 7		27 - 28	90267-48014	22 - 10		45 - 5
8AC-84717-01	41 - 20		24 - 37	90201-05029	29 - 57	90201-207J5	24 - 42	90267-48018	15 - 16	90387-0514U	11 - 11
8K4-84718-00	39 - 7		24 - 50	90201-05033	31 - 5	90201-210U0	24 - 14		15 - 42		45 - 11
8K4-84721-00	39 - 4		24 - 55	90201-05036	43 - 9	90201-224L4	27 - 8		29 - 23		46 - 3
87M-84723-00	39 - 6	90105-10436	24 - 73	90201-054K4	34 - 26		27 - 14		33 - 14	90387-060U0	34 - 11
86R-85110-00	42 - 1	90105-10739	24 - 72	90201-06042	29 - 55		27 - 22	90267-48051	15 - 15	90387-061U9	14 - 17
8GM-85110-00	42 - 3	90105-10769	23 - 5	90201-06043	35 - 15	90201-225L2	27 - 23	90267-48060	15 - 14	90387-06241	29 - 62
	43 - 11	90105-14367	28 - 8	90201-06072	28 - 4	90201-250T6	24 - 49		20 - 6	90387-06299	35 - 12
81L-85520-M0	35 - 3	90105-27484	27 - 50	90201-063A5	15 - 51	90201-252F1	12 - 17	90267-48079	29 - 35	90387-063E6	15 - 68
8AU-85540-00	41 - 7	90109-065E6	6 - 27	90201-064J1	28 - 35	90201-25526	12 - 17	90267-48086	33 - 35	90387-063W4	6 - 30
2A7-85546-00	41 - 8	90113-06039	16 - 53	90201-06557	29 - 42	90201-25527	12 - 17	90267-48149	33 - 15	90387-066N1	39 - 9
8AT-85550-01	35 - 1	90116-08104	1 - 5		29 - 47	90201-257G7	13 - 9	90267-48194	24 - 6	90387-081R2	15 - 11
8AT-85560-00	35 - 2	90116-08302	1 - 13		29 - 51	90201-257J2	12 - 18	90267-48199	24 - 11	90387-082J1	25 - 16
8R4-85580-M0	35 - 6	90119-06108	3 - 32		29 - 61	90201-266L1	24 - 48	90267-49152	15 - 9	90387-083G6	24 - 60
8GJ-W176G-02	45 - 1	90122-05022	29 - 31	90201-06747	24 - 26	90201-286K9	24 - 52	90269-05039	29 - 39	90387-084R1	16 - 24
8ET-W176H-00	46 - 1	90149-08230	33 - 9	90201-06778	15 - 50	90201-33299	2 - 18	90269-05051	3 - 37	90387-1009S	24 - 63
8E1-W2628-00	44 - 1	90151-06010	24 - 4	90201-067A0	15 - 62	90201-345G2	12 - 6	90269-05055	34 - 21	90387-100A4	16 - 45
8FM-W4741-10	25 - 2		25 - 5	90201-067F9	16 - 34	90201-535H6	16 - 38		34 - 28	90387-100X3	24 - 71
	25 - 3	90154-05047	31 - 3	90201-080L1	16 - 28	90201-536A1	16 - 38	90280-05002	2 - 27	90387-1014Y	25 - 11
83R-W4751-10	26 - 1	90154-06050	28 - 19	90201-08100	1 - 8	90202-05088	29 - 34	90280-05014	2 - 24	90387-101Y9	16 - 44
83R-W4753-01	26 - 3	90154-06062	12 - 4	90201-08624	4 - 14	90202-08204	11 - 21		3 - 15	90387-105G5	24 - 30
8AT-W7726-01	29 - 2	90157-05027	40 - 3	90201-08649	25 - 18		45 - 16	90338-21075	4 - 2		24 - 76

NUMERICAL INDEX

PART NO.	REF. NO.	PART NO.	REF. NO.	PART NO.	REF. NO.	PART NO.	REF. NO.	PART NO.	REF. NO.	PART NO.	REF. NO.
90387-105G6	24 - 19	90467-11032	14 - 8	91A30-05052	14 - 19	93102-20010	27 - 34	93612-44229	27 - 40	95707-04300	34 - 19
90387-106J3	16 - 16		19 - 16	91A30-05060	14 - 20	93102-22014	27 - 5	93700-06004	16 - 35	95707-04500	44 - 5
90387-121E8	27 - 41		19 - 23	91A30-05085	14 - 12	93102-36232	15 - 32		24 - 87	95707-05300	15 - 30
90387-1404R	24 - 67	90468-02025	4 - 7	91A30-05120	14 - 11	93102-46394	28 - 16	94702-00188	1 - 2		29 - 58
90387-145T7	28 - 32		4 - 18	91A30-07016	14 - 13	93103-32095	2 - 21	94709-00188	1 - 2		34 - 27
90387-1815A	25 - 9	90468-10003	29 - 32	92901-05100	4 - 12	93103-32156	2 - 26	94880-06070	28 - 11	95707-06300	15 - 52
90387-2004V	24 - 43	90480-10348	15 - 53	92901-06100	10 - 10	93103-36117	15 - 33	95027-06040	5 - 12		15 - 61
90387-200U9	23 - 31	90480-12012	34 - 30	92902-03100	6 - 5	93109-53036	16 - 37	95027-06055	5 - 13		24 - 27
90387-203H0	24 - 96	90480-12314	41 - 23	92902-04100	35 - 10	93210-10010	28 - 34	95301-05600	4 - 13		29 - 16
90387-205T6	23 - 32	90480-15061	15 - 35	92902-05100	37 - 6	93210-19123	28 - 21	95301-06700	10 - 11		29 - 28
90387-220X0	22 - 11	90480-15268	33 - 36	92902-05200	40 - 9	93210-28763	28 - 14	95302-05600	37 - 5		29 - 48
90387-226V7	27 - 15	90501-02217	4 - 4	92907-05100	4 - 16	93306-00002	5 - 15	95307-05700	6 - 25		29 - 52
90387-2515E	24 - 53	90501-084G9	6 - 34		17 - 18	93306-00444	23 - 9	95307-06600	29 - 44		34 - 16
90387-405T8	28 - 12	90501-084J0	6 - 37		29 - 33		23 - 15		36 - 21		41 - 17
90387-514Y2	26 - 4	90501-101A7	28 - 28	92907-05200	17 - 17		23 - 21		39 - 11		41 - 35
90430-04004	4 - 8	90501-147A6	28 - 7	92907-05600	6 - 24		23 - 26	95307-08600	16 - 27	95707-06500	6 - 32
90430-06016	27 - 54	90501-20130	19 - 5		17 - 15		23 - 43		33 - 11		15 - 69
90430-14194	28 - 9	90501-407E4	25 - 20	92907-06100	29 - 43	93306-00507	26 - 6	95307-08800	33 - 22		28 - 36
90430-31003	14 - 5	90501-556G6	11 - 25		39 - 10	93306-20315	3 - 11	95307-10700	17 - 22		28 - 41
90445-092K1	6 - 36	90501-556G7	11 - 25	92907-06200	29 - 15	93306-20321	27 - 18		17 - 27		28 - 46
90445-095F1	19 - 26	90501-606G9	11 - 25	92907-06600	6 - 10		27 - 32		27 - 47		29 - 63
90445-114J9	19 - 30	90501-75612	16 - 21		10 - 17	93306-20402	27 - 3	95317-08600	28 - 42		41 - 29
90445-114K5	6 - 39	90506-06065	19 - 14		11 - 17		27 - 33	95380-05600	37 - 12	95707-08300	16 - 58
90445-115K6	19 - 25	90506-20272	8 - 4		28 - 38	93306-20469	23 - 29		37 - 12		19 - 20
90445-11735	6 - 33	90507-16045	8 - 7		29 - 20	93306-20582	12 - 13	95602-05200	11 - 7	95707-08500	1 - 6
90450-99050	6 - 17	90507-16046	8 - 8		41 - 34	93306-20617	2 - 19		11 - 13		24 - 23
90460-56073	6 - 14	90508-10715	19 - 9		45 - 14	93306-20620	2 - 20	95602-08200	8 - 3	95707-10300	16 - 48
90460-68230	6 - 16	90508-50746	12 - 10	92907-08100	33 - 21	93306-30627	2 - 16	95607-05200	42 - 2		17 - 30
90461-08113	29 - 67	90793-26072	41 - 21	92907-08200	33 - 10	93306-30628	2 - 17		45 - 7		23 - 34
90462-05059	15 - 13	91317-06025	28 - 39		33 - 20	93306-37206	27 - 4		46 - 5	95707-10500	13 - 13
90462-10209	14 - 2	91401-16025	3 - 29	92907-08600	3 - 5	93306-90802	28 - 15	95607-06100	14 - 16	95707-12300	25 - 23
90464-16039	4 - 22		3 - 31		3 - 7	93310-320G0	2 - 5	95607-06200	41 - 13	95707-12500	13 - 14
90464-16061	14 - 21	91401-20020	16 - 17		3 - 9	93310-524K4	2 - 13	95607-08200	23 - 11	95717-08300	33 - 39
90465-08125	15 - 47		16 - 50		6 - 13	93311-42265	27 - 7		23 - 45	95807-06012	15 - 46
90465-08277	6 - 8	91401-25020	17 - 31		12 - 16	93315-21227	27 - 43		24 - 58	95807-06016	14 - 18
90465-08316	6 - 31	91609-25050	19 - 7		16 - 57	93317-22021	27 - 27		25 - 15		34 - 15
	12 - 22	91609-30008	25 - 12		33 - 40	93317-32241	27 - 13		33 - 27	95807-06020	41 - 27
90465-08368	15 - 12	91609-30010	2 - 15		38 - 15		27 - 21	95607-10100	24 - 33	95807-06025	3 - 39
90465-10098	39 - 8		22 - 7	92907-10600	23 - 37	93410-25017	12 - 19		24 - 68	95807-08016	18 - 4
90465-10189	22 - 2	91609-30016	19 - 6	92907-16100	2 - 29	93410-52061	16 - 39	95607-10200	16 - 14	95807-08040	33 - 32
90467-08017	14 - 22	91609-50032	11 - 10		3 - 18	93430-02001	19 - 12		24 - 92	95817-08035	25 - 14
90467-09026	6 - 38		45 - 10		11 - 28	93440-34170	12 - 8	95607-14200	23 - 36	95817-10020	12 - 21
	14 - 9	91830-22016	9 - 2		45 - 18	93440-78069	2 - 25		24 - 97	95817-10030	25 - 7
	19 - 24	91A20-05065	19 - 26	92990-05100	37 - 13	93450-21053	2 - 4	95612-08318	1 - 11	95817-10045	13 - 7
90467-11009	6 - 42	91A20-05145	19 - 27		37 - 13	93503-08007	28 - 6	95617-08640	16 - 56	95822-06016	43 - 6
	19 - 22	91A30-03042	4 - 5	92990-06600	41 - 3	93505-32002	4 - 3	95617-08655	16 - 55	95827-06016	41 - 12
90467-11032	6 - 35	91A30-05004	14 - 15	93101-10001	5 - 2	93603-22028	5 - 9	95702-05300	40 - 5	95827-06030	9 - 6
	6 - 41	91A30-05010	14 - 10	93102-15212	28 - 3	93604-07141	9 - 3	95702-05500	42 - 4	95827-06035	27 - 58

NUMERICAL INDEX

PART NO.	REF. NO.	PART NO.	REF. NO.	PART NO.	REF. NO.	PART NO.	REF. NO.	PART NO.	REF. NO.	PART NO.	REF. NO.
95827-06045	27 - 56	98507-06020	29 - 19								
95827-08014	26 - 9	98707-04016	34 - 17								
	33 - 19	98707-05016	29 - 56								
95827-08016	9 - 8	98902-04020	4 - 9								
	10 - 19	98904-06016	29 - 27								
95827-08020	33 - 23	98907-05012	29 - 54								
	33 - 25	98907-05014	15 - 29								
95827-08025	33 - 38	98907-05016	34 - 25								
95827-08040	28 - 23	98907-06008	27 - 53								
95827-08055	17 - 5	98907-06010	14 - 3								
95827-08075	9 - 4	98907-06014	29 - 40								
95827-08085	9 - 5	98907-06016	15 - 18								
95827-08220	24 - 59		34 - 10								
95827-10050	21 - 17		35 - 14								
97007-06010	27 - 52	98907-06025	3 - 38								
97007-06014	10 - 16		15 - 67								
	41 - 16		29 - 60								
97007-06025	24 - 25	98907-06035	29 - 73								
97007-08025	6 - 12	99001-04600	40 - 19								
97007-08040	38 - 14	99009-10400	5 - 8								
97017-06030	11 - 16	99009-12400	27 - 45								
	45 - 13	99009-20400	23 - 17								
97027-06020	16 - 31		24 - 44								
97027-06025	6 - 9		27 - 29								
	15 - 49	99009-22400	27 - 9								
97027-08020	12 - 15		27 - 24								
97027-08040	3 - 4	99009-40500	3 - 12								
97027-08055	3 - 6	99009-42500	23 - 10								
97027-08075	3 - 8		23 - 16								
	3 - 10		23 - 22								
97027-10025	24 - 86		23 - 27								
97701-40130	39 - 5		23 - 44								
97706-30620	40 - 17	99009-47500	23 - 30								
97706-30630	40 - 18	99009-52500	12 - 14								
97707-40616	38 - 12	99246-00080	3 - 24								
97707-50014	29 - 68	99246-00120	31 - 7								
97707-50016	29 - 24	99246-00200	30 - 1								
97880-06020	41 - 2	99530-08016	5 - 11								
98502-03008	6 - 4	99530-10114	27 - 57								
98502-04008	35 - 11										
98502-04012	35 - 9										
98507-04016	44 - 4										
98507-04018	4 - 20										
98507-05008	17 - 16										
98507-05016	4 - 15										
	6 - 23										
98507-05030	17 - 14										
98507-06010	6 - 26										